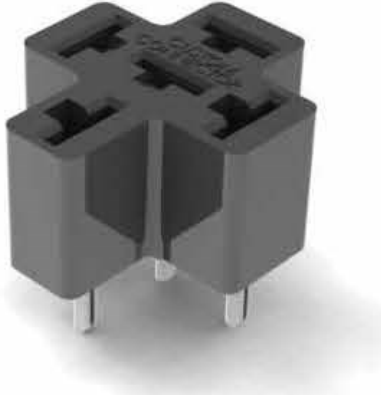


# 4 / 5 Pin Mini ISO Automotive Relay PCB Socket

**SC792-PCB**

**For use with, PC792A,  
PC792C and PC792H**



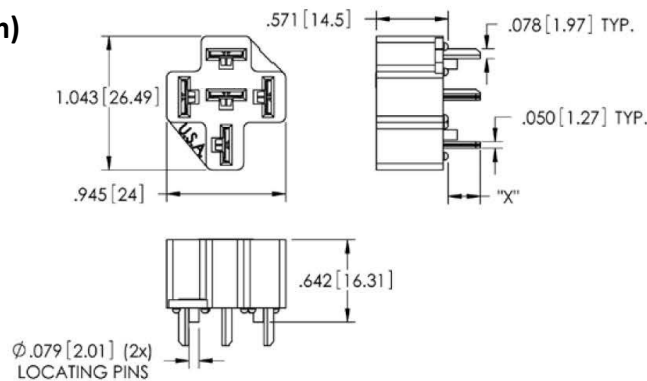
## FEATURES

- Mini ISO Automotive Relay Socket
- Heat Stabilized Thermoplastic
- -40 to 140°C Operating Temperature
- Six Versions
  - 4 Pin Socket with 0.234" PCB Pins
  - 4 Pin Socket with 0.149" SPCB Pins
  - 5 Pin Socket with 0.234" PCB Pins
  - 5 Pin Socket with 0.234" PCB Pins w/o Locating Pins
  - 5 Pin Socket with 0.149" SPCB Pins
  - 5 Pin Socket with 0.149" SPCB Pins w/o Locating Pins
- RoHS Compliant

## ORDERING INFORMATION

| Part Number    | Description                                          | Pin Length      | Terminal      | Form   |
|----------------|------------------------------------------------------|-----------------|---------------|--------|
| SC792-4 PIN    | 4 Pin Socket with 0.234" PCB Pins.                   | 0.234" (5.94mm) | Quick Connect | 1A     |
| SC792-4PIN-S   | 4 Pin Socket with 0.149" SPCB Pins.                  | 0.149" (3.78mm) | Quick Connect | 1A     |
| SC792-5PIN     | 5 Pin Socket with 0.234" PCB Pins.                   | 0.234" (5.94mm) | Quick Connect | 1A,1C  |
| SC792-5PIN-XL  | 5 Pin Socket with 0.234" PCB Pins w/o Locating Pins  | 0.234" (5.94mm) | Quick Connect | 1A, 1C |
| SC792-5PIN-S   | 5 Pin Socket with 0.149" SPCB Pins                   | 0.149" (3.78mm) | Quick Connect | 1A,1C  |
| SC792-5PIN-SXL | 5 Pin Socket with 0.149" SPCB Pins w/o Locating Pins | 0.149" (3.78mm) | Quick Connect | 1A, 1C |

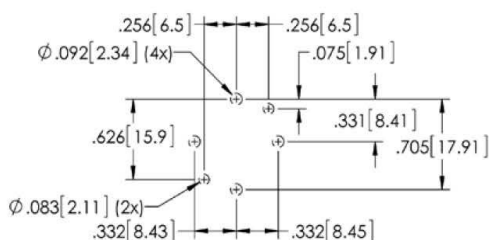
## DIMENSIONS Inches (mm)



### Pin Lengths

SPCB models X = .149" [3.78]  
PCB models X+ .234" [5.94]

### 4 Pins



### 5 Pins

