

**14 Pin Miniature Socket For Din Rail or Panel Mount**

**SC740**

**For Use With PC740 Relay**

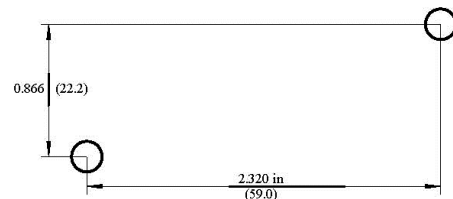
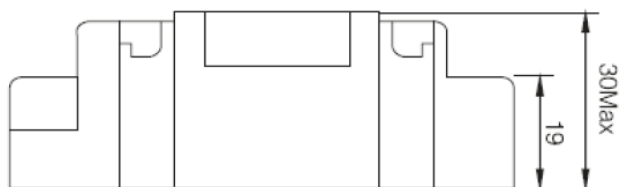
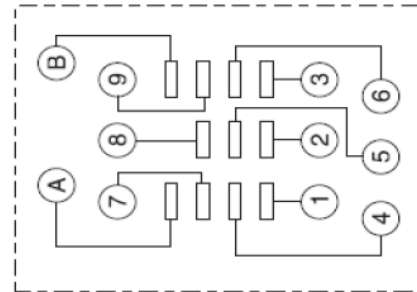
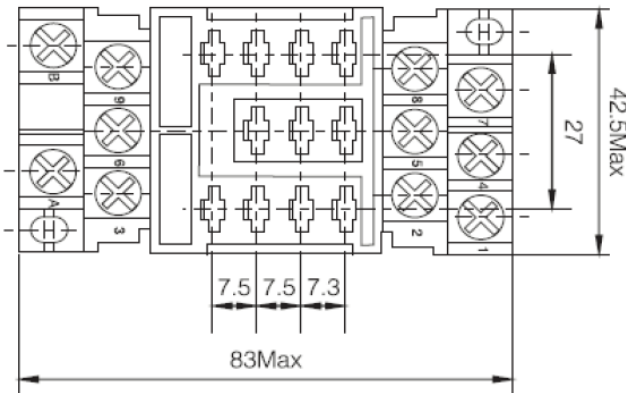
**FEATURES**

- Hold Down Clips Included
- Flame Retardance Material
- RoHS Compliant



**SPECIFICATIONS**

Rated Current	30 A
Rated Voltage	300 V
Insulation Strength	2500V/S
Insulation Breakdown Voltage	≥ 3000 V
Operational Temperature	-40°C to 75°C
Socket material	Flame Retardance - PA66+GF(V1/V0)
Contact Spring Material	QSn6.5-0.1
Hold Down Spring	Included



**ORDERING INFORMATION**

SC740-3C; Socket with Finger Safe Terminals