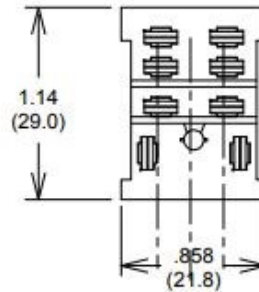
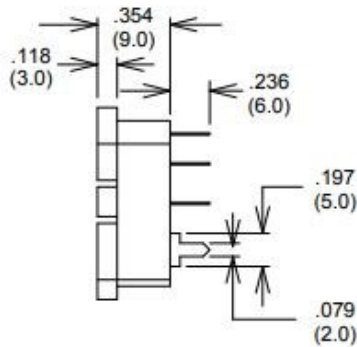


For Use With PC113-2C (2 Pole) Relay

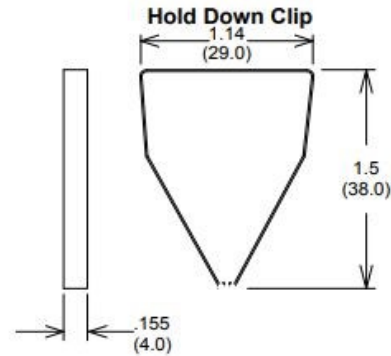
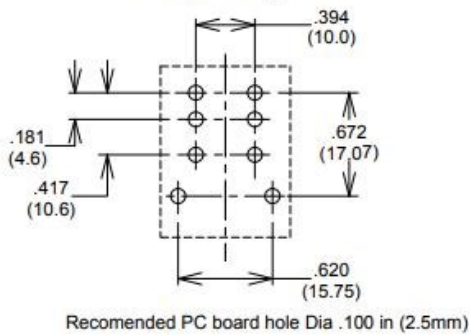
**FEATURES**

- Heat Stabilized Thermoplastic
- RoHS Compliant

Dimensions in inches (MM)



**PC Board Layout**



**Notes**

Hold down clip included with each socket  
 Recommended PC board hole Dia .100 in (2.5mm)  
 Tolerances +/- 0.010 unless otherwise noted

**ORDERING INFORMATION**

Part Number	Description	Terminals
SC113-2C-PCB	8 Pin Socket	PCB Mount