



### FEATURES

- DC Input / AC Output
- PC Mount
- Built-In Snubber
- 2,000 VAC Optical Isolation Between Input and Output



### INPUT PARAMETERS (Ta = 30°C)

Control Voltage Range	5	4 ~ 6 VDC
	12	9.6 ~ 14.4 VDC
	24	19.2 ~ 28.8 VDC
Must Turn-On Voltage	5	4 VDC
	12	9.6 VDC
	24	19.2 VDC
Must Turn-Off Voltage	1 VDC	
Max Input Current	25 mA	
Input Resistance	5	270Ω
	12	750Ω
	24	1640Ω

Minimum current loading over range required to fully turn on device. Standard UL endurance ratings are 6,000 cycles.

### OUTPUT PARAMETERS (Ta = 30°C)

Load Voltage Range	48 VAC to 280 VAC	
Load Current Range	0.1 A to 2 A	
Max Surge Current (10 ms)	25 Apk	
Max Leakage Current	1.5 mA	
Max On-State Voltage Drop	1.5 Vrms	
Max Turn-On Time	Zero Cross	1/2 cycle + 1ms
	Random	1 ms
Max Turn-Off Time	1/2 cycle + 1ms	
Max Transient Overvoltage	600 Vpk	
Min Off-State (dv/dt)	100 V/us	
Min Power Factor	0.5	
Max I <sup>2</sup> t for Fusing (10 ms)	3.1 A <sup>2</sup> s	
Max Zero Cross Overvoltage	±15V	

### CHARACTERISTICS

Insulation Resistance	1000 MΩ at 500 VDC
Dielectric Strength	2500 VAC, 50/60 Hz, 1 min
Max Capacitance	5pF
Vibration Resistance	10 Hz to 55 Hz, 1.5mm DA
Shock Resistance	980 m/s <sup>2</sup>
Operating Temperature	-30°C to 80°C
Storage Temperature	-30°C to 100°C
Ambient Humidity	up to 85% RH
Weight	6g

### UL RATINGS

Load Voltage	Output Current
48VAC ~ 280VAC, 50/60 Hz	2A, 25°C, 6K cycles, resistive
	0.5A, 80°C, 6K cycles, resistive
240VAC, 50/60 Hz	3.6 LRA, 0.6 FLA, 25°C, 100K cycles
	D150, 25°C, 10K cycles, pilot duty

## ORDERING INFORMATION

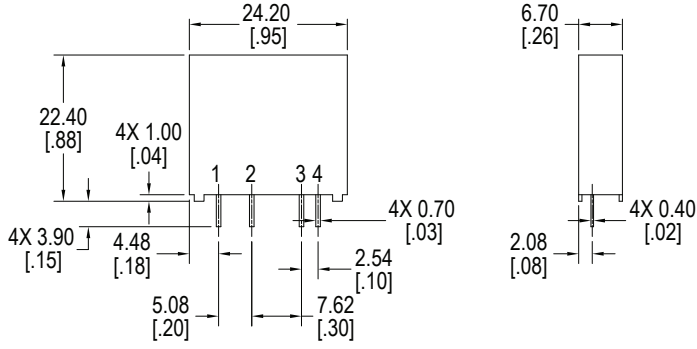
Example	PCS4	-12D	-240A	-2	Z	T
Model:	PCS4					
Control Voltage	5D = 4~6VDC 12D = 9.6~14.4VDC 24D = 19.2~28.8VDC					
Load Voltage	240A = 240VAC					
Load Current	2 = 2 Amp					
Switching Type	Z = Zero Crossing R = Random Turn-On / Instantaneous Turn-On					
Termination	T = T Type (231mm) M = M Type (341mm) K = K Type (241mm)					

Carton Quantity = 1000; Inner Box Quantity = 100

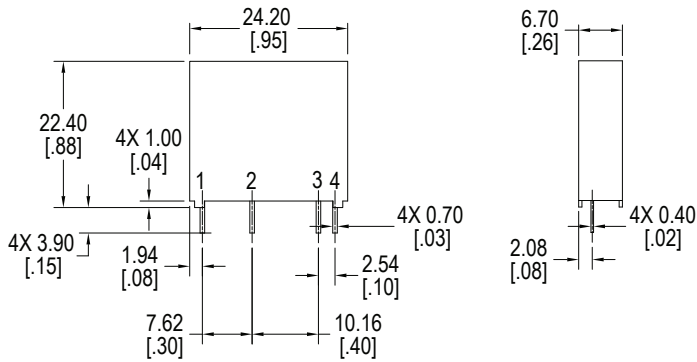
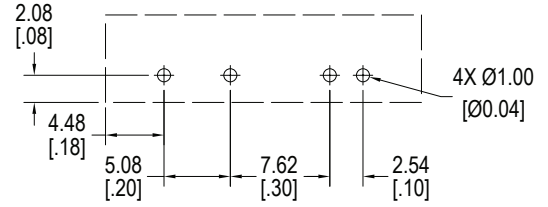
## PRECAUTIONS

1. Soldering Time : 10s at 270°C or less
2. The SSR case serves to dissipate heat. Install relays so that they are adequately ventilated. Please refer to the curve of "Max. Load Current vs. Ambient Temperature".
3. Use caution to ensure that the polarity of the input and output are correct when connecting to the SSR, otherwise the SSR will be damaged due to reversed polarity.
4. If the output transient voltage exceeds the nominal value, then a varistor should be mounted on the SSR output terminal in parallel to prevent the relay from being damaged. The recommended varistor voltage is 470V.

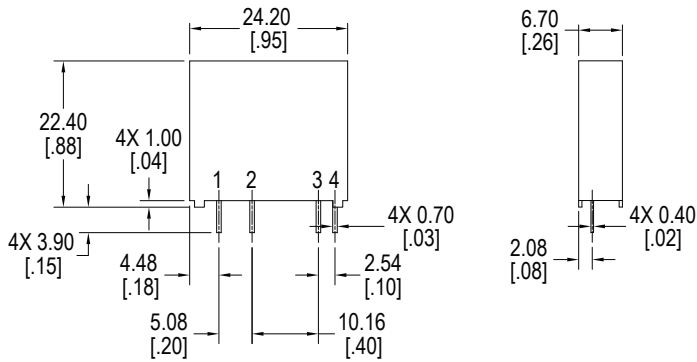
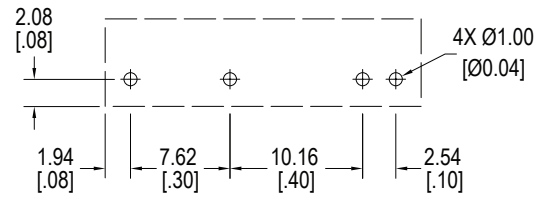
**DIMENSIONS** mm (inches)



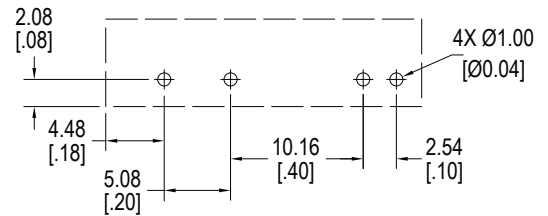
Type T



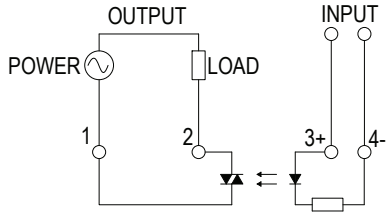
Type M



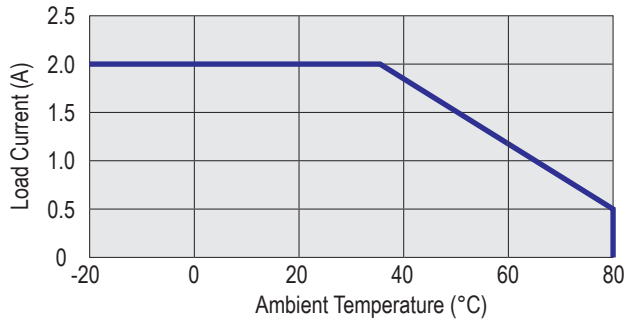
Type K



## WIRING DIAGRAM



## CHARACTERISTIC CURVES



Max Load Current vs. Ambient Temperature