

# 10/25/40/60/80 Amp AC Output Solid State Relay

**PCS25**



## FEATURES

- 4-32 VDC or 90-250 VAC Control
- 440 VAC Load Voltage Option
- Zero Cross or Random Switching
- Built In RC Snubber Output
- Triac Output Design
- Built In Finger Guard Cover
- LED Indicator
- RoHS Compliant



## INPUT PARAMETERS (Ta = 25°C)

Control Voltage Range	DC Input	4 VDC - 32 VDC
	Max 35 VDC	
Must Turn-On Voltage	VAC Input	90 VAC - 250 VAC
	DC Input	3 VDC
Must Turn-Off Voltage	VAC Input	90 VAC
	DC Input	1 VDC
Input Current	VAC Input	10 VAC
		<20 mA

## CHARACTERISTICS

Dielectric Strength	2,500 VAC, 1 minute, Input/Output
Insulation Resistance	500 MΩ at 500 VDC, 50% RH
Operating Temperature	-30°C to 80°C (Heatsink may be required)
Storage Temperature	-30°C to 80°C
Relative Humidity	45 - 85%
Weight	98g

## CROSS REFERENCES

Carlo Gavazzi: RM1A
Example: RM1A40D25 Crosses to PCS25-D-380A-25ZL

## OUTPUT PARAMETERS (Ta = 25°C)

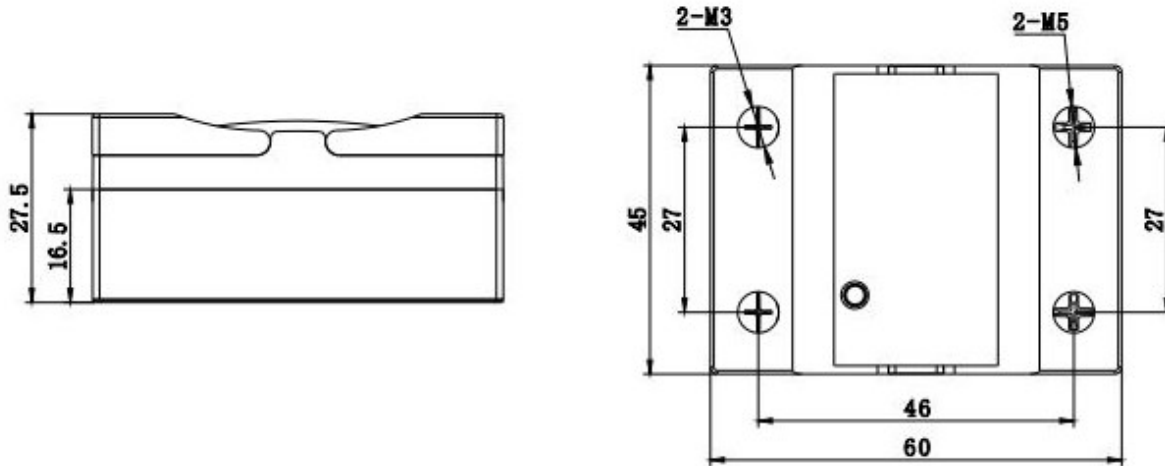
Rated Load Current	10 A	25 A	40 A	60 A	80 A
Load Voltage Range (RMS)	220 A	24 VAC - 240 VAC			
	380 A	24 VAC - 440 VAC			
Max. Transient Overvoltage	220 A	900 Vpk			
	380 A				
Rated Load Current	10 A	25 A	40 A	60 A	80 A
Max. Surge Current (10 ms)	120 A	300 A	410 A	780 A	1,000 A
Max I <sup>2</sup> t for Fusing (10ms, A <sup>2</sup> s)	85	450	840	1,800	3,200
Min. Load Current	100 mA				
Max. Off-state Leakage Current	7 mA				
Max. On-state Voltage Drop	1.5 Vrms				
Max. Turn-on Time (Random)	DC Input (Zero)	1/2 Cycle + 1 ms			
	DC Input (Random)	10 ms			
	VAC Input	10 ms			
Max. Turn-off Time	DC Input	10 ms			
	VAC Input	10 ms			
Frequency Range	47 H - 63 Hz				
Min. Power Factor	0.5				
Min. Off-state dv/dt	500 V/μs				

## ORDERING INFORMATION

Example:	PCS25	-250A	-380A	-25	Z	L
Model:	PCS25					
Control Voltage:	D: 4 - 32 VDC; 250A: 90 - 250 VAC					
Load Voltage:	220A: 24 - 240 VAC; 380A: 24 - 440 VAC					
Load Current:	10: 10 Amp; 25: 25 Amp; 40: 40 Amp; 60: 60 Amp; 80: 80 Amp					
Switching Type:	Z: Zero Crossing, R: Random Turn-On					
Status LED:	L: LED Indicator					
Terminal Type:	Nil: Screw Terminal					

Box Quantity: XXX; Inner Box YYY

# Dimensions



Dimensions in mm