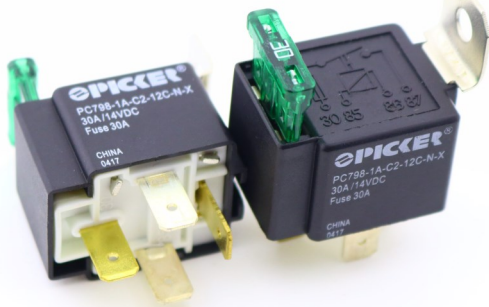


30 Amp Automotive Plug-In Relay with Integral Fuse

PC798



FEATURES

- Popular Automotive Relay Style
- Fits Standard Connectors and Socket SC792
- Contact Switching Capacity Up to 60 Amps
- 30 Amps Continuous Carrying Capacity
- 15 or 30 Amp Fuses Options
- RoHS Compliant

CONTACT RATINGS 14 VDC FOR 30 A VERSION

Contact Form	1 Form A Normally Open
Max Switching Current	30 A
Max Continuous Current	30 A
Max Switching Voltage	75 VDC
Max. Switching Power	420 W
Minimum Load	0.1A @ 12 VDC

CONTACT RATINGS 28 VDC FOR 30 A VERSION

Contact Form	1 Form A Normally Open
Max Switching Current	15 A
Max Continuous Current	15 A
Max Switching Voltage	75 VDC
Max Switching Power	420 W
Minimum Load	0.1A @ 24 VDC

CHARACTERISTICS

Operate Time	7 msec Max.
Release Time	5 msec Max.
Insulation Resistance	100 MΩ Min at 500VDC, 50% RH
Dielectric Strength	500 V 50 Hz Between Contacts 750 V 50 Hz Between Coil and Contact
Shock Resistance	147 m/s ² 11ms
Vibration Resistance	10 Hz—40 Hz Double Amplitude 1.27 mm
Terminal Strength	8N
Power Consumption	1.8 W
Operating Temperature Range	- 40 to 105°C
Storage Temperature Range	- 40 to 125°C
Weight	32 grams

CONTACT DATA

Material	AgSnO ₂	
Initial Contact Resistance	50 mΩ Max	
Service Life	Electrical	1 x 10 ⁵ Operations
	Mechanical	1 x 10 ⁷ Operations

ORDERING INFORMATION

Example:	PC798	-1A	-C2	-12	C	-N	-X
Model:	PC798						
Contact & Fuse Rating:	Nil: 30 A; B: 15 A						
Contact Form:	1A						
Case Style:	C2: Metal Bracket						
Coil Voltage:	6, 12, 24						
Enclosure:	C: Dust Cover						
Terminal Plating:	Nil; None; N: Nickel						
RoHS Compliant:	-X						

Box Quantity: 400; Inner Box: 100

COIL DATA

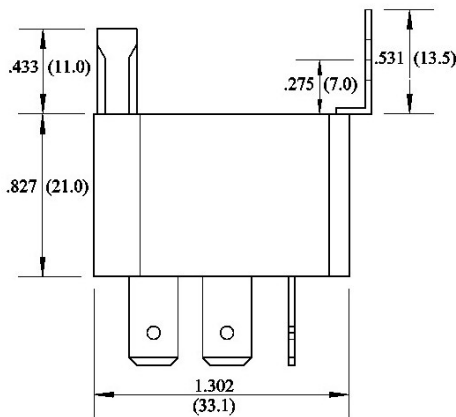
Coil Voltage (VDC)		Resistance (Ohms ± 10%)	Must Operate Voltage Max (VDC)	Must Release Voltage Min. (VDC)	Power Consumption (W)
Rated	Max				
6	7.8	20	3.9	1.2	1.8
12	15.6	80	7.8	2.4	
24	31.2	320	15.6	4.8	

NOTES:

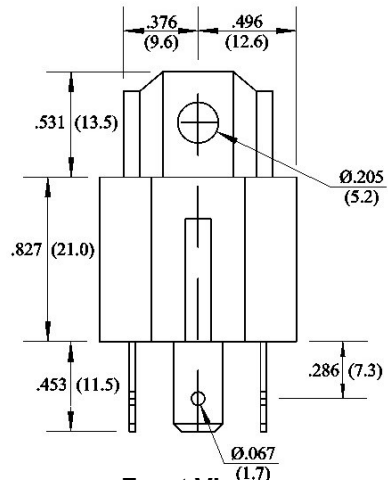
The use of any coil voltage less than the rated voltage will compromise the operation of the relays. Must Operate Voltage is listed for test purposes only and is not to be used as design criteria. Pickup and release voltages are for test purposes only and are not to be used as design criteria.

Dimensions are in mm, Inches are listed for reference only.

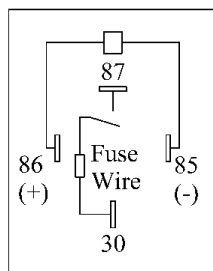
DIMENSIONS in Inches/mm



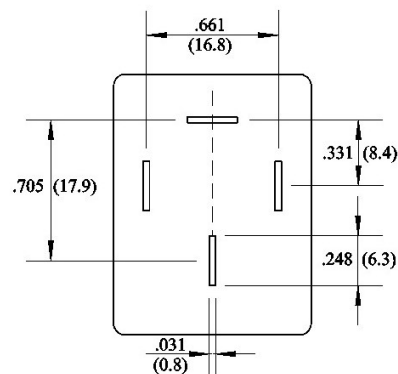
Side View



Front View



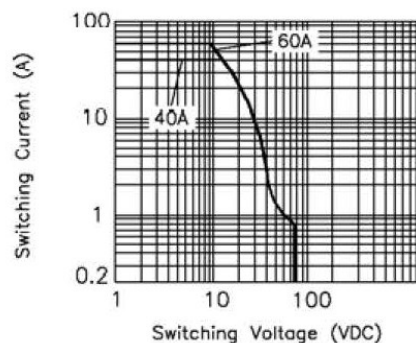
Wire Diagram



Terminal Bottom View

REFERENCE CURVE

Power Load Limit



3220 Commander Drive, Suite 102 Carrollton, TX 75006
 Sales: (972) 713-6272 (888) 997-3933 Fax: (972) 735-0964

www.PickerComponents.com
 e-mail: sales@pickercomponents.com