

35 Amp Automotive Plug-In Power Relay

PC785, PC785H



FEATURES

- ISO 280 Footprint
- 1A and 1C Contact Forms Available
- Contact Switching Capacity up to 40 Amps
- 35 Amps Continuous Carrying Current Standard Version
- 40 Amps Continuous Carrying Current High Version
- 125°C Operating Temperature
- Internal Diodes or Resistors Available
- RoHS Compliant

CONTACT RATINGS 14 VDC

Contact Form	1 Form A or 1 Form C	
	Normally Open	Normally Closed
Max Switching Current	Make 120 A	Make 90 A
	Break 40 A	Break 30 A
Max Switching Voltage	75 VDC	
Max Continuous Current Standard	35 A	25 A
Max Continuous Current H	40 A	30 A
Max Switching Power	490 Standard, 560 Watts H	
Minimum Load	0.1 A at 12 VDC	

CONTACT RATINGS 28 VDC

Contact Form	1 Form A or 1 Form C	
	Normally Open	Normally Closed
Max Switching Current	Make 60 A	Make 45 A
	Break 20 A	Break 15 A
Max Switching Voltage	75 VDC	
Max Continuous Current Standard	17.5 A	12.5 A
Max Continuous Current H	20 A	15 A
Max Switching Power	490 Standard, 560 Watts H	
Minimum Load	0.1 A at 12 VDC	

CHARACTERISTICS

Operate Time	5 msec or less (without coil suppression)
Release Time	2 msec or less (without coil suppression)
Insulation Resistance	100 MΩ min at 500VDC, 50% RH (Item 7 of IEC255-5)
Dielectric Strength	500 Vrms, 1 min. between coil and contacts (Item 6 of IEC 255-5)
Shock Resistance	200m/ss 11 ms (IEC-2-27 Test Ea,)
Vibration Resistance	DA 127 mm, 10-40 Hz; 40-70 Hz: 5 g; DA 0.5 mm, 70-100 Hz; 100-500 Hz: 10 g
Drop Resistance	1 Meter Height Drop on Concrete In Final Enclosure
Power Consumption	1.3 W Approximately

CONTACT DATA

Material	AgSnO ₂ (Silver Tin Indium Oxide)	
Initial Contact Resistance	100 mΩ max at 0.1 A, 6 VDC	
Service Life	Electrical	1 x 10 ⁵ Operations
	Mechanical	1 x 10 ⁷ Operations

CHARACTERISTICS CONTINUED

Terminal Strength	10N
Ambient Temperature Range	-40 to 125°C Operating
Relative Humidity	85% (at 20°C)
Weight	21grams

ORDERING INFORMATION

Example:	PC785	-1C	-12	C	-R	-X
Model:	PC785					
Contact Form:	1A or 1C					
Coil Voltage:	6, 12, 24					
Enclosure:	C: Dust Cover, S: Sealed					
Parallel Component:	Nil: None; D: Diode; R: Resistor;					
RoHS Compliant:	-X					

Box Quantity: 500; Inner Box: 250

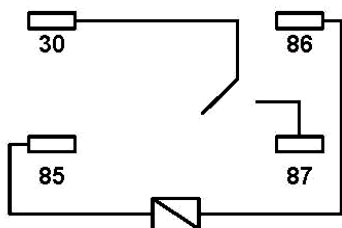
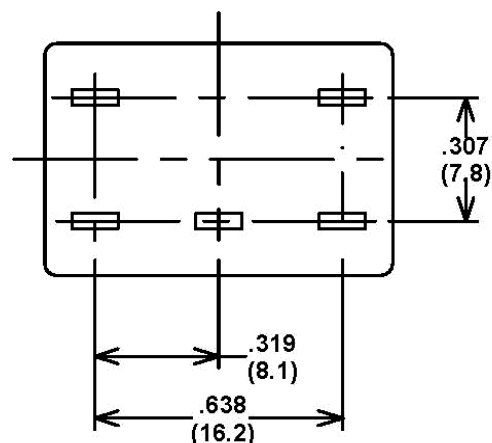
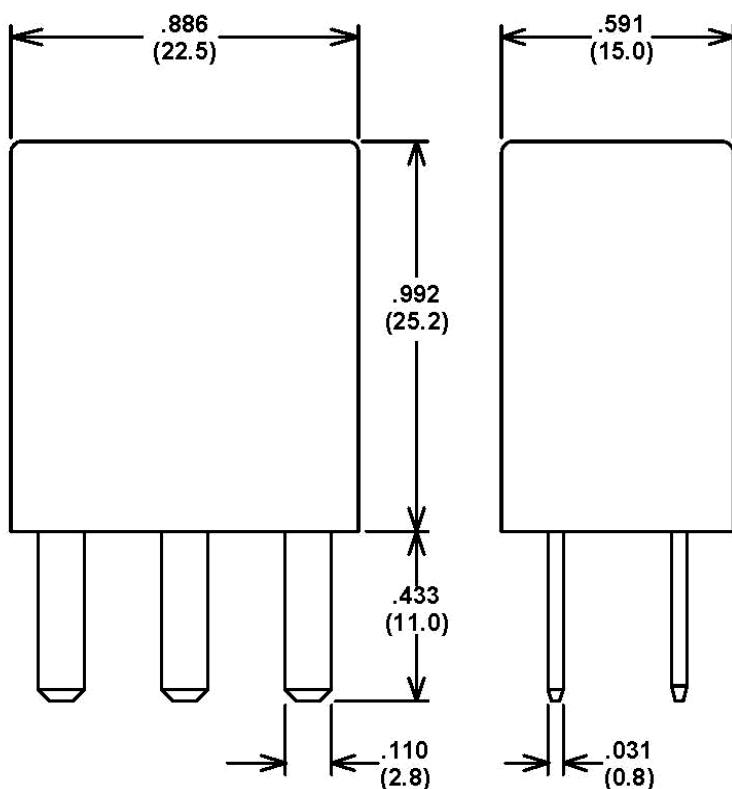
COIL DATA

Coil Voltage (VDC)		Resistance (Ohms ± 10%)	Must Operate Voltage Max (VDC)	Must Release Voltage Min. (VDC)
Rated	Max			
6	7.8	20	3.9	0.6
12	15.6	80	7.8	1.2
24	31.2	320	15.6	2.4

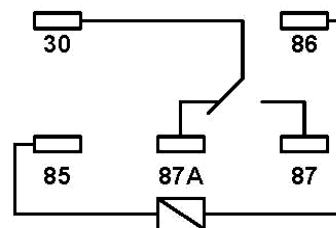
NOTES:

The use of any coil voltage less than the rated voltage will compromise the operation of the relays. Must Operate Voltage is listed for test purposes only and is not to be used as design criteria. Pickup and release voltages are for test purposes only and are not to be used as design criteria. Dimensions are in mm, Inches are listed for reference only.

DIMENSIONS (mm / inches)



Form 1A



Form 1C