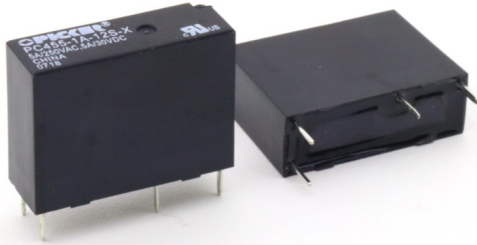


Subminiature PCB Telecom Relay PC455



FEATURES

- Thin 5A Power Relay (7.0 mm Wide)
- Low Coil Power Consumption (200 mW)
- 4 kV Dielectric
- 1 Form A (SPST-NO) Contact Form
- Sealed, Immersion Cleanable

Applications

- Water Heaters
- Refrigerators
- HVAC
- Home Appliances

UL Pending

Contact Form	1 Form A (SPST-NO)	
Rated Load @ 85°C	Voltage	Amps
Resistive 100,000 Cycles	277/250 VAC	5 A
Resistive 100,000 Cycles	30 VDC	5 A

Cross References

Omron	American Zettler	Panasonic
G5NB	AZ921	LD
G5NB High Capacity		ALD
		LD-P

CHARACTERISTIC

Operate Time	10.0 ms. Max.	
Release Time	10.0 ms. Max.	
Insulation Resistance	1,000 MΩ min, at 500 VDC	
Dielectric Strength	750 VAC, 50 Hz, Between Contacts	
Impulse Withstand Voltage	10 kV 1.2/50 μs	
Power Consumption	200 mW	
Shock Resistance	Functional	100 m/s ² , 11 ms
	Destructive	1,000 m/s ² , 11 ms
Vibration Resistance	Functional	10 Hz - 55 Hz Double Amplitude 1.5 mm
	Destructive	10 Hz - 55 Hz Double Amplitude 5 mm

CONTACT DATA

Max. Switching Power	90 W, 1,250VA	
Max. Switching Voltage	30 VDC, 250 VAC	
Max. Switching Current	5 A	
Material	Ag Alloy C _d Free , AgSnO ₂	
Initial Contact Resistance	1,000 mΩ max	
Service Life	Mechanical	5 X 10 ⁶ Operations
	Electrical	1 X 10 ⁵ Operations

CHARACTERISTIC Continued

Terminal Strength	5N
Solderability	260°C for 5 seconds
Temperature Range	-40°C ~ 85°C
Relative Humidity	5%~85% at 40°C
Weight	4 grams

ORDERING INFORMATION

Example:	PC455	-1A	-12	C	-X
Model:	PC455				
Contact Form:	1A: 1A (SPST-NO)				
Coil Voltage:	5, 12, 18, 24				
Enclosure:	C: Dust Cover, S: Sealed				
Contact Material:	Nil: Ag Alloy C_d Free, T: AgSnO₂				
RoHS Compliant:	-X				

Box Quantity: 2,000 ; Inner Box 1,000

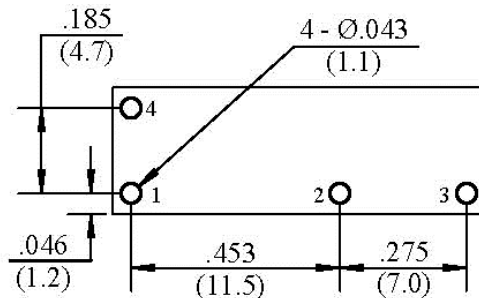
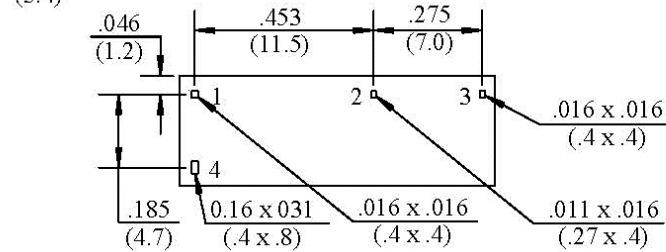
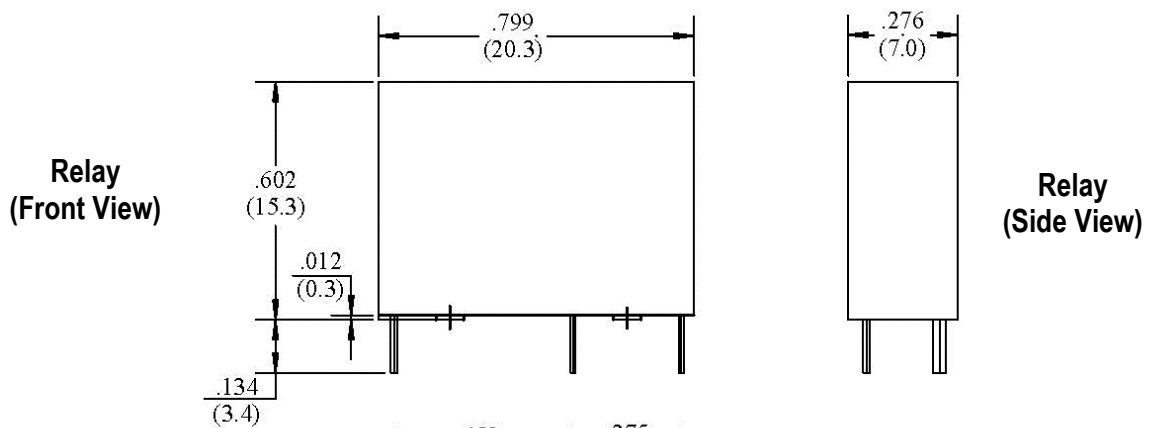
COIL DATA

Coil Voltage (VDC) (1)		Resistance (Ohms ± 10%)	Must Operate Voltage Max (VDC) (2)	Must Release Voltage Min. (VDC) (2)	Coil Power (mW)
Rated	Max				
5	6.0	125	3.5	0.5	200
12	14.4	720	8.4	1.2	
18	21.6	1,620	12.6	1.8	
24	28.8	2,880	16.8	2.4	

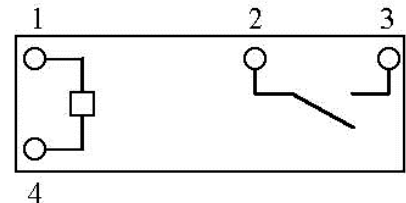
NOTES:

- (1) The use of any coil voltage less than the rated voltage will compromise the operation of the relays.
- (2) Must Operate Voltage and Must Release Voltages are for test purposes only and are not to be used as design criteria.

DIMENSIONS



Terminal Layout (Bottom View)



Wire Diagram (1A)

PC Board Mounting (Top View)