

16 Amp Miniature PCB Power Relay PC393



FEATURES

- 16 Amp Contact Capacity
- 5 KV Dielectric Strength Between Coil and Contacts
- 10 mm Creepage Distance Between Coil and Contacts
- Sensitive Coil Version Available
- Meets UL 873 Spacing
- Sealed, Immersion Cleanable
- RoHS Compliant

UL / CUL Ratings



Contact Form	Contact Form	
	1A2 (SPST-NO)	1C2 (SPDT)
Rated Load	16 A @ 250 VAC	16 A @ 250 VAC
	16 A @ 30 VDC	16 A @ 30 VDC
Max Switching Current	20 A	20 A
Max. Switching Power	600W, 5,000 VA	600W, 5,000 VA
Max. Switching Voltage	110 VDC / 380 VAC	110 VDC / 380 VAC
Motor Load	1 HP @ 250 VAC	1 HP @ 250 VAC
	1/2 HP @ 125 VAC	1/2 HP @ 125 VAC
Lamp Load	TV-5 @ 125 VAC	TV-5 @ 125 VAC

CONTACT DATA

Material	AgSnO ₂	
Initial Contact Resistance	50 mΩ Max	
Service Life	Electrical	1 x 10 ⁵ Operations
	Mechanical	1 x 10 ⁷ Operations

CHARACTERISTICS

Operate Time	15 ms Max.
Release Time	10 ms Max.
Insulation Resistance	1,000 MΩ Min at 500 VDC
Dielectric Strength	1,000 V 50Hz Between Contacts
	5000 V 50Hz Between Contact and Coil
Terminal Strength	10 N
Power Consumption	530 mW, 800 mW

CHARACTERISTICS CONTINUED

Shock Resistance	100 m/s ² 11ms
Vibration Resistance	10 Hz - 50 Hz—1.5 mm Amplitude
Solderability	260°C for 5 seconds
Operating Temperature Range	- 40° C to 70° C
Relative Humidity	85% (40° C, None Condensing)
Weight	20 grams

ORDERING INFORMATION

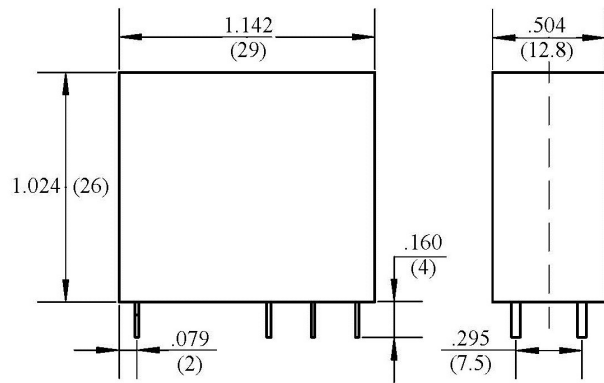
Example:	PC393	-1C	-12	S	-H	-X
Model:	PC393					
Contact Form:	1A: 1A2 or 1C: 1C2					
Coil Voltage DC:	3, 5, 6, 9, 12, 24, 48					
Enclosure:	S: Sealed, C: Dust Cover					
Sensitivity:	Nil: Standard 800 mW; H: Sensitive: 530 mW					
RoHS Compliant:	-X					

Box Quantity: 600; Bundle Quantity: 75; Tube Quantity: 15

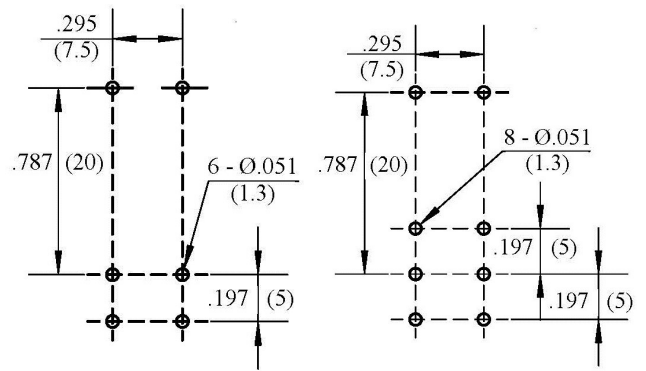
COIL DATA

Coil Voltage (VDC)		Coil Power		Must Operate Voltage Max. (VDC)	Must Release Voltage Min. (VDC)
		Resistance (Ohms ± 10%)			
Rated	Max	530 mW	800 mW		
3	3.9	17	26	2.25	0.3
5	6.5	47	71	3.75	0.5
6	7.8	68	103	4.50	0.6
9	11.7	153	231	6.75	0.9
12	15.6	275	420	9.00	1.2
24	31.2	1100	1681	18.00	2.4
48	62.4	4350	6570	36.00	4.8

DIMENSIONS (in/mm)



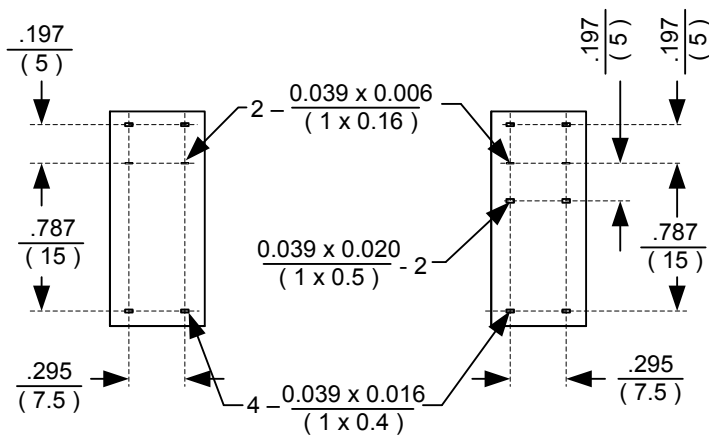
Relay (Side View & Front View)



1A2

1C2

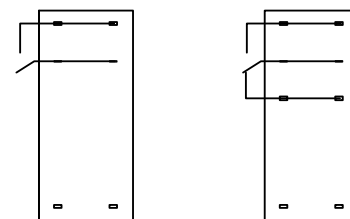
PCB Mounting (Top)



1A2

1C2

Terminal Layout (Bottom View)



1A2

1C2

Wiring Diagram (Bottom View)