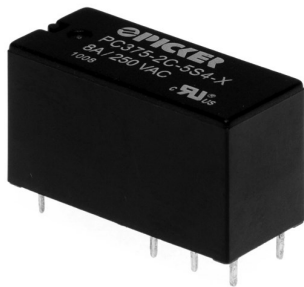


Low Profile PCB Power Relay

PC375



FEATURES

- Up to 16 Amp Continuous Contact Capacity
- Four Versions
- 5 KV Dielectric Strength Between Coil and Contacts
- Meets UL 873 Spacing
- Class F Material
- 85°C Operating Temperature
- RoHS Compliant



Version	1		2		3		4	
Form	1A SPST	1C SPDT	1A SPST	1C SPDT	1A2 SPST	1C2 SPST	2A DPST	2C DPDT
Number of Pins	4	5	4	5	6	8	6	8
Contact Pin Spacing	3.5 mm	3.5 mm	5.0 mm	5.0 mm	5.0 mm	5.0 mm	5.0 mm	5.0 mm
Wire Diag (Bottom View)	 1A	 1C	 1A	 1C	 1A2	 1C2	 2A	 2C
General Purpose 100K Cycles	12 A 250 VAC 12 A 30 VDC		12 A 250 VAC 12 A 30 VDC		16 A 250 VAC		8 A 250 VAC 8 A 30 VDC	
Resistive 6,000 Cycles	20 A 277VAC 16 A 277 VAC		20 A 277VAC 16 A 277 VAC		20 A 277VAC 16 A 277 VAC		10 A 277VAC 8 A 277 VAC	
Coil Power	410 mW		410 mW		410 mW		410 mW	
Max Switching Current	20 A							
Max Switching Power	480 W 5,600 VA						2 x 150 W 2 x 1,800 VA	
Max Switching Voltage	440 VAC 125 VDC							

ORDERING INFORMATION

Example:

PC375	-1C	-12	S	2	-X
-------	-----	-----	---	---	----

Model: **PC375**

Contact Form: **1A**, **1C**, **2A**, or **2C**

Coil Voltage: **5, 6, 9, 12, 24, 48**

Enclosure: **S**: Sealed; **C**: Dust Cover

Version: **1**: 1 Pole, 1A or 1C, 12 A, 3.5 mm; **2**: 1 Pole, 1A or 1C, 12 A, 5 mm;
3: 1 Pole, 1A2 or 1C2, 16 A, 5 mm; **4**: 2 Pole, 2A or 2C, 8 A, 5 mm

Coil Sensitivity: **Nil**: 410 mW

RoHS Compliant: **-X**

Contact Material: **Nil**: AgSnO₂

Box Quantity: 1000; Inner Box: 500

COIL DATA

Coil Voltage		Resistance (Ohms \pm 10%)	Must Operate Voltage Max (VDC)	Must Release Voltage Min. (VDC)	Coil Power (mW)
Rated	Max				
5	6.5	61	3.5	0.5	410
6	7.8	88	4.2	0.6	
9	11.7	198	6.3	0.9	
12	15.6	351	8.4	1.2	
24	31.2	1405	16.8	2.4	
48	62.4	5620	33.6	4.8	
60	78	8780 \pm 15%	42	6.0	
110	143	29512 \pm 15%	77	11.0	

NOTES:

The use of any coil voltage less than the rated voltage will compromise the operation of the relays. Must Operate Voltage is listed for test purposes only and is not to be used as design criteria. Pickup and release voltages are for test purposes only and are not to be used as design criteria.

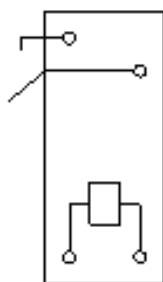
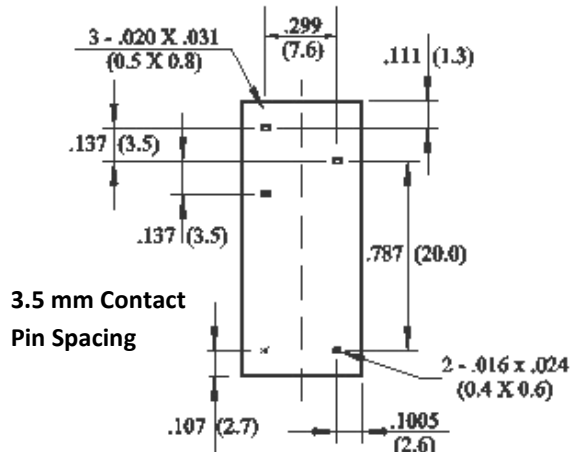
CONTACT DATA

Material	AgSnO ₂	
Initial Contact Resistance	50 m Ω max @ 1 A, 6 VDC	
Service Life	Mechanical	1 X 10 ⁷ Operations
	Electrical	1 X 10 ⁵ Operations

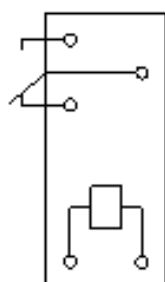
CHARACTERISTIC

Operate Time	15 ms. Max.
Release Time	8 ms Max
Insulation Resistance	1,000 M Ω min, at 500 VDC, 50% RH
Dielectric Strength	5000 V 50 HZ between coil and contacts 1000 V 50 HZ between open contacts
Power Consumption	410 mW
Shock Resistance	10 g, 11 ms, functional; 100 g, destructive
Vibration Resistance	10 Hz- 55 Hz DA 2.0 mm
Terminal Strength	10N
Solderability	235 °C for 3 secs
Operating Temperature Range	- 40°C to 85°C
Relative Humidity	85% (at 40°C)
Weight	11 grams or 12 grams

Version 1

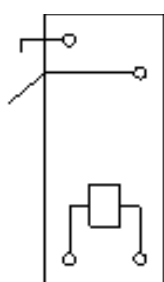
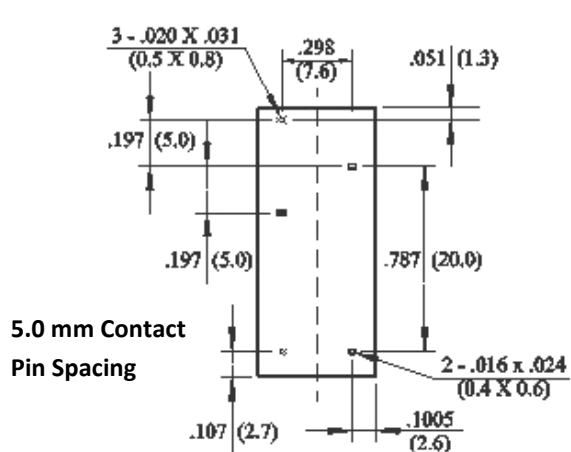


1A
4 Pin

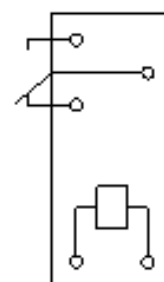


1C
5 Pin

Version 2

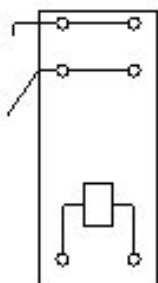
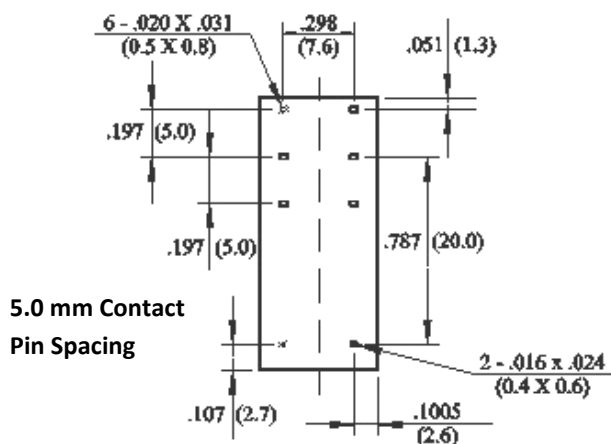


1A
4 Pin

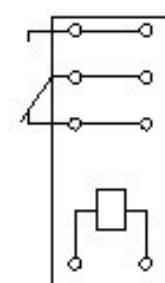


1C
5 Pin

Version 3

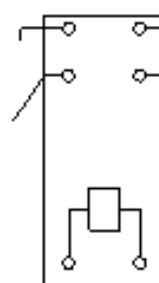
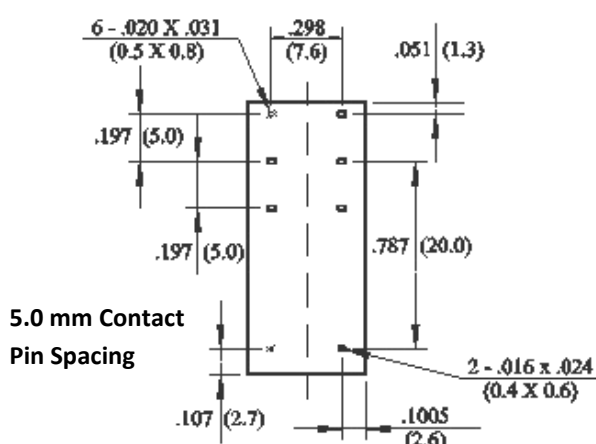


1A2
6 Pin

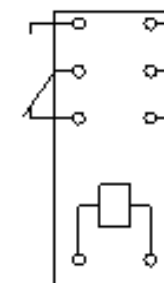


1C2
8 Pin

Version 4



2A
6 Pin



2C
8 Pin