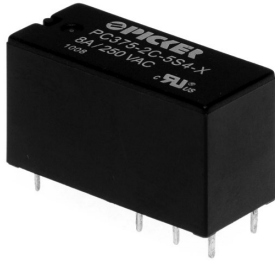


Low Profile Latching Miniature PCB Power Relay

PC374L



FEATURES

- Up to 10 Amp Continuous Contact Capacity
- Miniature Size 28.6 x 12.6 x 10.1 mm
- 5 KV Dielectric Strength Between Coil and Contacts
- 85°C Operating Temperature
- RoHS Compliant
- Applications: IoT (Internet of Things)

UL / CUL Ratings



Load Type	All Forms, All Contacts
General Purpose	10 A at 250 VAC*
	10 A at 30 VDC

CHARACTERISTIC

Operate Time	< 10 ms
Release Time	< 10 ms
Insulation Resistance	1,000 MΩ min, at 500 VDC
Dielectric Strength	5,000 V, 50 Hz. between contact and coil
	1,000 V, 50 Hz. between open contacts
Shock Resistance	Functional 98 m/s ² , Destructive 980 m/s ²
Power Consumption	250 mW to activate
Vibration Resistance	10 - 55 Hz, DA 1.65 mm,
Terminal Strength	10N
Solderability	260 °C for 5 seconds
Ambient Temperature Range	-40°C to 85°C
Relative Humidity	85% (at 40°C)
Weight	8 g

CROSS REFERENCE

Fujitsu JSL Family
Example: JSL-12N-K crosses to PC374L-1C-12S-L-X

CONTACT DATA

Max Switching Power	300 W, 2,500 VA	
Max. Switching Voltage	125 VDC, 440 VAC	
Max Switching Current	10 A	
Material	AgSnO ₂ (Silver Tin Oxide)	
Initial Contact Resistance	100 mΩ max @ 1 A, 6 VDC	
Service Life	Mechanical	1 X 10 ⁷ Operations
	Electrical	5 X 10 ⁴ Operations

ORDERING INFORMATION

Model:	PC374L	PC374L	-1C	-12	S			-L1	R	-X
Contact Form:	1A	1C								
Coil Voltage:	5, 6, 9, 12, 24									
Enclosure:	S: Sealed;	C: Dust Cover								
Contact Material:	Nil: AgSnO ₂	G: AgSnO ₂ +Au								
Contact Plating:	Nil: Standard	G: Gold								
Version:	L1: Single Coil	L2: Dual Coil								
Polarity:	Nil: Standard	R: Reverse Polarity								
RoHS Compliant:	-X									

Box Quantity: 1,000; Inner Box: 500

COIL DATA - 1 Coil

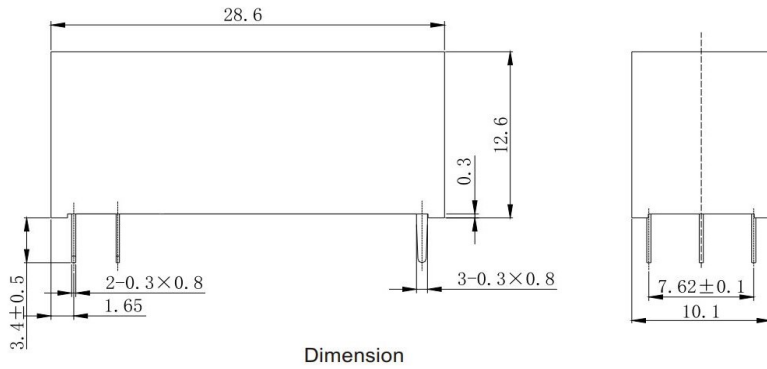
Coil Voltage		Resistance ohms \pm 10%	Coil Power Consumption W	Operate Time Ms	Release Time Ms
Rated	Max				
5	6.5	100	0.25	\leq 10	\leq 10
6	7.8	144			
9	11.7	324			
12	15.6	576			
24	31.2	2,300			

COIL DATA - 2 Coils

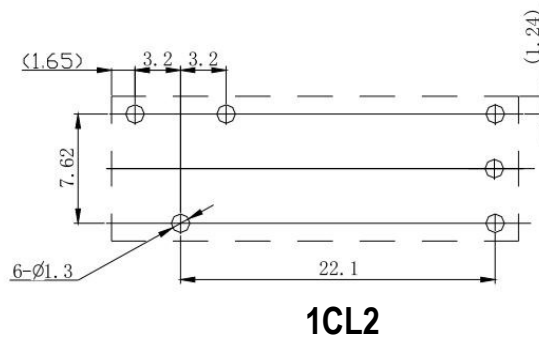
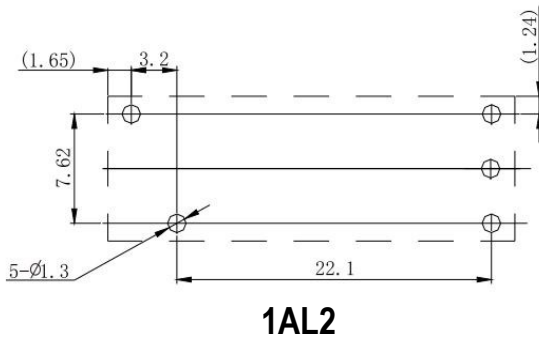
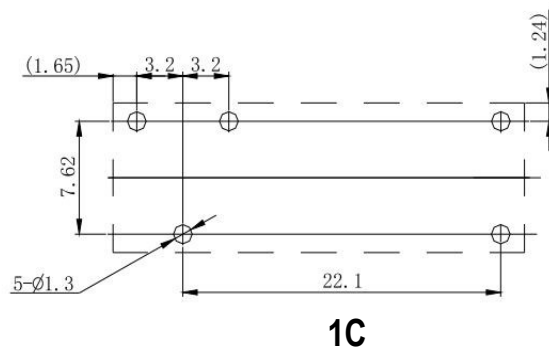
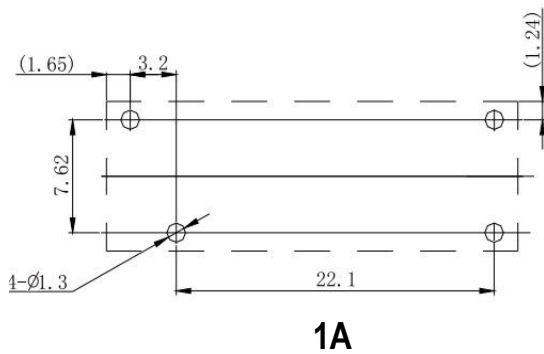
Coil Voltage		Resistance ohms \pm 10%	Coil Power Consumption W	Operate Time Ms	Release Time Ms
Rated	Max				
5	6.5	2 x 52	0.48	\leq 10	\leq 10
6	7.8	2 x 75			
9	11.7	2 x 170			
12	15.6	2 x 300			
24	31.2	2 x 1,200			

DIMENSIONS

Dimensions are in millimeters
Inches are given for general information only



Mounting (Bottom View)



Wiring Diagram (Bottom View)

