
FEATURES

- 12 Amp Continuous Contact Capacity
- 1 Form A, 1 Form C Contact Forms
- 2.5 KV Dielectric Strength Between Coil & Contacts
- Sensitive Coil Available
- Meets UL873 Spacing


UL / CUL Ratings

Contact Form		1 Form A SPST NO 1 Form C SPDT	
Rated Load		Voltage	Amps
10A Contact	Resistive, 6K cycles, 40°C	28VDC	6A
	Resistive, 6K cycles, 40°C	300VAC	6A
	Resistive, 6K cycles, 40°C	240VAC	10A
	General Purpose, 6K cycles, 40°C	28VDC	10A
	General Purpose, 6K cycles, 40°C	125VAC	10A
12A Contact	General Purpose, 6K cycles, 40°C	28VDC	12A
	General Purpose, 6K cycles, 40°C	125VAC	12A
	Motor Load, 6K cycles, 40°C	1/3hp, 120/240VAC	

CHARACTERISTICS

Insulation Resistance	100MΩ min. at 500VDC
Dielectric Strength	4000V rms, between coil & contacts (H) 2500V rms, between coil & contacts 1000V rms, between contact
Power Consumption	.36W, .45W
Terminal Strength	10N
Solderability	260°C 5s ± 0.5s
Operating Temperature	-40°C to 85°C Class B -55°C to 125°C Class F
Storage Temperature	-40°C to 130°C Class B -55°C to 155°C Class F
Shock Resistance	100m/s ² for 11 ms functional
Vibration Resistance	1.5m double amplitude 10 Hz ~ 40 Hz
Weight	11g

CONTACT DATA

Maximum Switching Power	2400VA, 336W	
Maximum Switching Voltage	300VAC, 48VDC	
Maximum Switching Current	12A	
Material	AgSnO ₂	
Initial Contact Resistance	50 mΩ max.	
Service Life	Mechanical	1 x 10 ⁷ operations
	Electrical	1 x 10 ⁵ operations

Values can change due to the switching frequency, desired reliability levels, environmental conditions, and in-rush current levels. It is recommended to test to actual load conditions for the application. It is the users responsibility to determine the performance suitability for their specific application. The use of any coil voltage less than the rated coil voltage may compromise the operation of the relay.

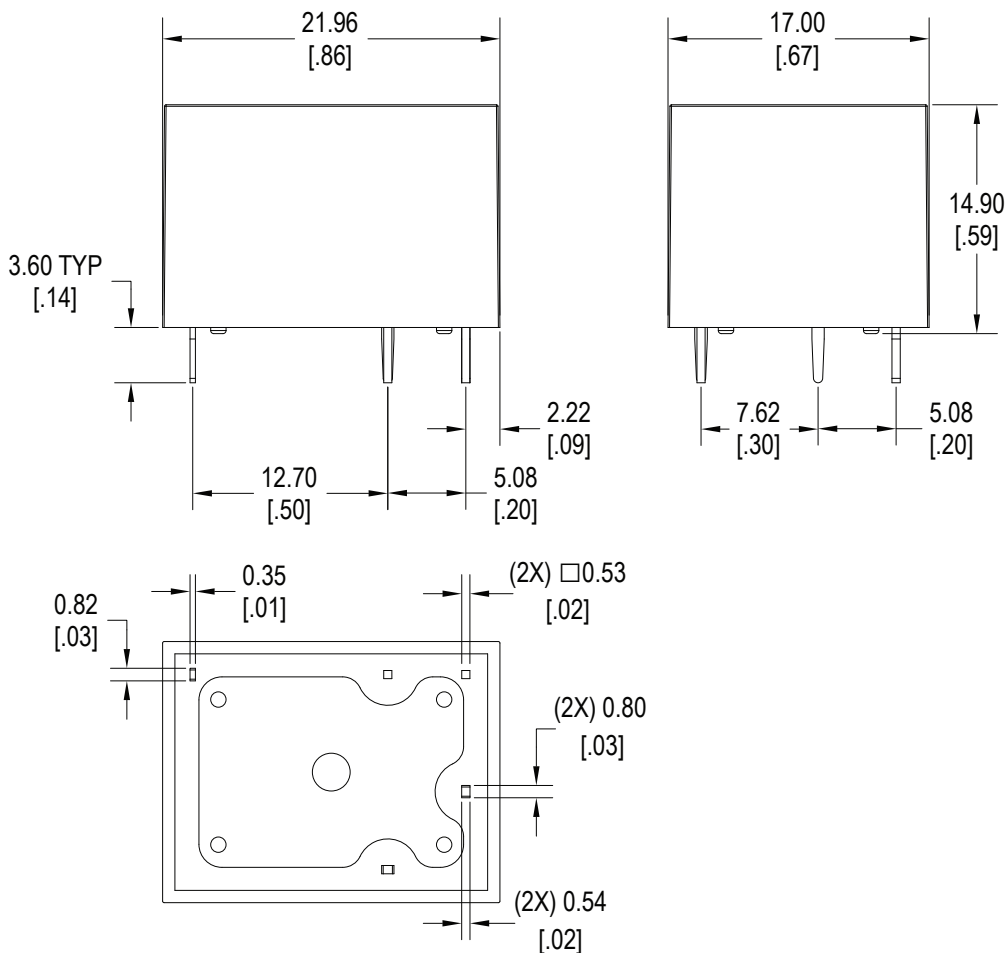
ORDERING INFORMATION

Example	PC333	-1C	-12	S	F	-X	H	
Model:	PC333							
Contact Form	1A 1C							
Coil Voltage	5 = 5VDC 6 = 6VDC 9 = 9VDC 12 = 12VDC 15 = 15VDC 18 = 18VDC 24 = 24VDC 48 = 48VDC							
Enclosure	S = Sealed C = Flux Free							
Insulation System	Nil = Class B (125°C) F = Class F (155°C)							
RoHS Compliant	X = RoHS Compliant							
Coil Sensitivity	Nil = .45W, standard H = .36W, sensitive							
Contact Options	Nil = 12A Contacts 10A = 10A Contacts							

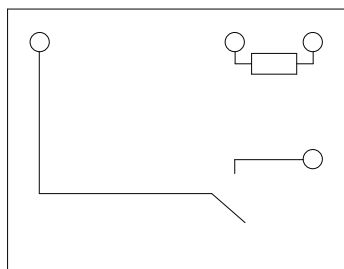
COIL DATA - Single Coil

Coil Voltage		Resistance (Ohms ± 10%)		Pick Up Voltage Max. VDC	Release Voltage Min. VDC	Coil Power W	Operate Time ms	Release Time ms
Rated	Max	.36W	.45W					
5	6.5	70	56	3.75	.5	.36 .45	7	4
6	9.0	100	80	4.50	.6			
9	11.7	225	180	6.75	.9			
12	15.6	400	320	9.00	1.2			
15	19.5	625	500	11.25	1.5			
18	23.4	900	720	13.5	1.8			
24	31.2	1600	1280	18.00	2.4			
48	62.4	6400	5120	36.00	4.8			

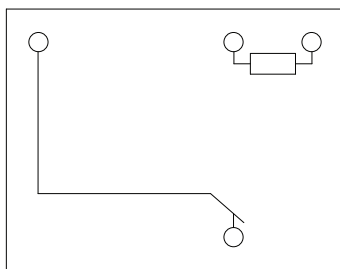
DIMENSIONS Inches (mm)



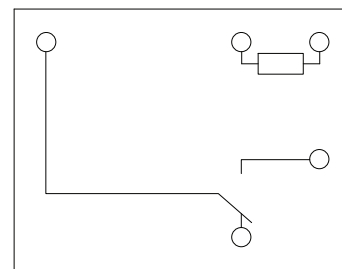
SCHEMATICS & PC LAYOUT Bottom Views



1A



1B



1C

