



SC795-PCB



SC795-4PIN



SC795-5PIN

-5PIN-4WIRE
-5PIN-5WIRE



For use with, PC795,
PC796 and PC7150

FEATURES

- Maxi ISO Automotive Relay Socket
- 1/4" Coil Pins and 3/8" Power Pins
- Heat Stabilized Thermoplastic
- -40 to 140°C Operating Temperature
- For Use with Wire Harnessing
- Five Versions

Sockets Only

-PCB (4 Pin PCB)

-4PIN (4 Pin Crimp)

-5PIN (5 Pin Crimp)

With 12" Wire Leads

-5PIN-4WIRE

-5PIN-5WIRE

ORDERING INFORMATION

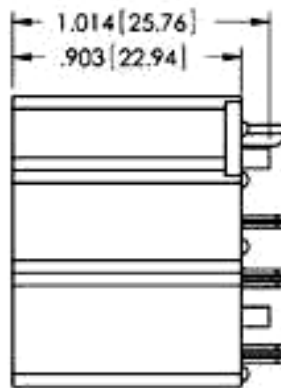
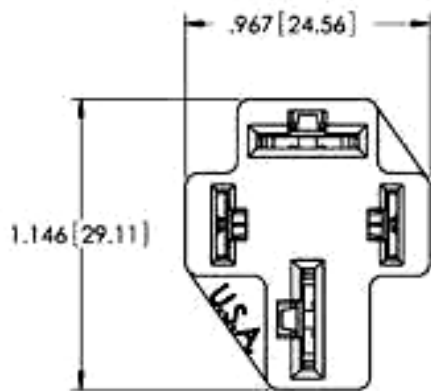
Part Number	Description	Terminal Form
SC795-PCB	4 Pin Socket.	PCB 1A
SC795-4PIN	4 Pin Connector For Wire Harnessing.	Crimp 1A
SC795-5PIN	5 Pin Connector For Wire Harnessing.	Crimp 1A,1C
SC795-5PIN-4WIRE	5 Pin Connector with 4 Wire Harness, without Mounting Bracket, SPDT, 12" Wire Leads, 14 awg at Load Contacts 30 and 87, 18 awg at Coil Contacts 85 and 86.	— 1A
SC795-5PIN-5WIRE	5 Pin Connector with 5 Wire Harness without Mounting Bracket, SPDT, 12" Wire Leads, 14 awg at Load Contacts 30, 87 and 87a, 18 awg at Coil Contacts 85 and 86.	— 1A,1C

TERMINAL COMPATIBILITY

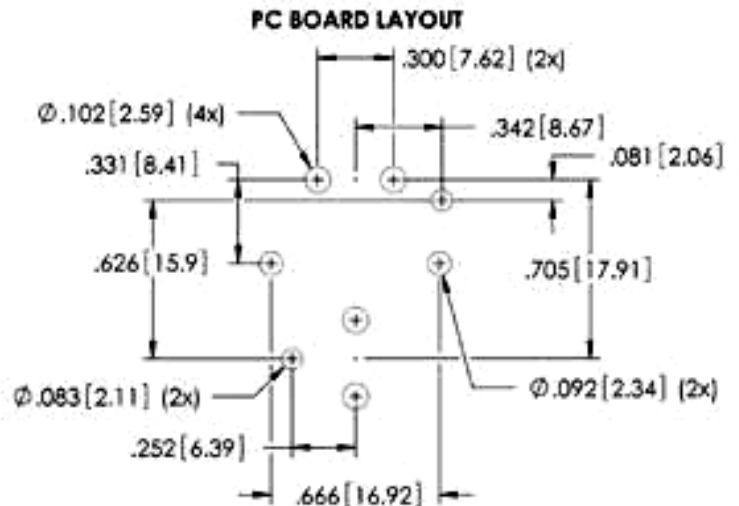
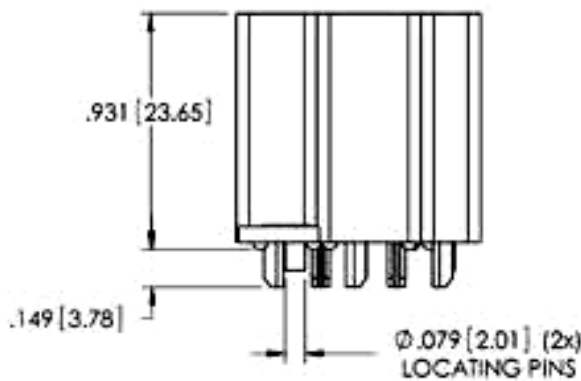
Order From	Part Number	AWG	Blade
TE Connectivity	42100	14-18	1/4"
TE Connectivity	42281	14-18	1/4"
TE Connectivity	42904	12-16	1/4"
TE Connectivity	60249	12-16	1/4"
TE Connectivity	60253	12-14	1/4"
TE Connectivity	280756	10-12	3/8"
TE Connectivity	280755	7-10	3/8"

Picker Components references these terminals to be used with our Automotive Series Sockets. Current capability of the terminals depends on the gauge of wire used, the quality of the crimp, the addition of solder or a weld, operating conditions, temperature cycling, etc. Terminals to be purchased separately.

DIMENSIONS (inches/mm)



SC795-PCB



DIMENSIONS (inches/mm)

