

4 / 5 Pin Mini ISO Automotive Relay Socket **SC792-C3**



-C3

-C3-5PIN-4WIRE
-C3-5PIN-5WIRE



**For use with PC792A-C3
Weather Proof Case**

FEATURES

- Mini ISO Automotive Relay Socket
- Heat Stabilized Thermoplastic
- -40 to 140°C Operating Temperature
- For Use with Wire Harnessing
- Optional Crimp Terminals or with 12" Wires
- RoHS Compliant

-Seal-14-16-Grey



-Seal-14-16-Orange



-Seal-14-16-Yellow



-Plug



ORDERING INFORMATION

Socket

| Part Number | Description | Terminal | Form |
|---------------------|--|----------|--------|
| SC792-C3 | 5 Pin Weatherproof Connector for Wire Harness. | Crimp | 1A, 1C |
| SC792-C3-5PIN-4WIRE | Pin Connector with 4 Wire Harness, without Mounting Bracket, SPDT, 12" Wire Leads, 14 awg at Load Contacts 30 and 87, 18 awg at Coil Contacts 85 and 86 . | — | 1A |
| SC792-C3-5PIN-5Wire | 5 Pin Connector with 5 Wire Harness, without Mounting Bracket, SPDT, 12" Wire Leads, 14 awg at Load Contacts 30, 87 and 87a, 18 awg at Coil Contacts 85 and 86 . | — | 1A, 1C |

Accessories

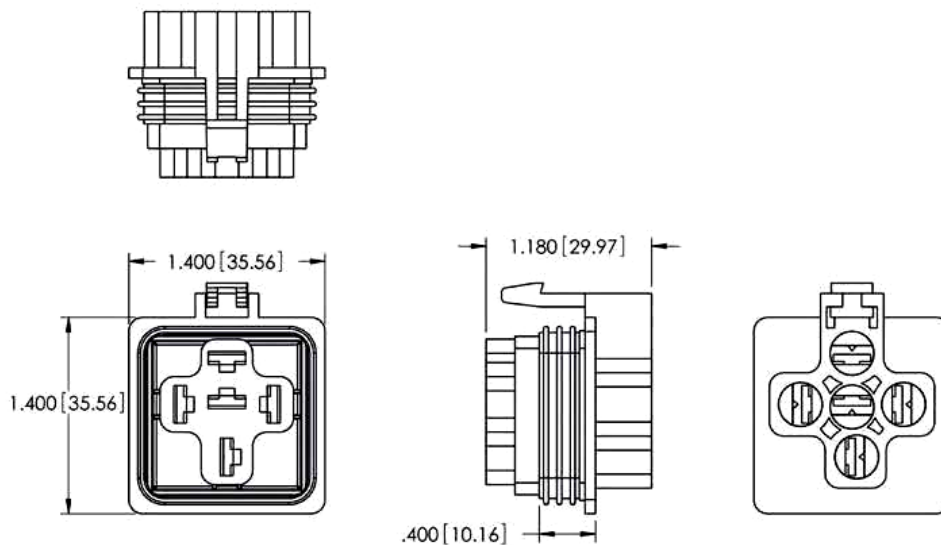
| | | | |
|-------------------------|--|---|---|
| SC792-Seal-18-Orange | Orange Wire Seal for 18 ga Wire. | — | — |
| SC792-Seal-14-16-Grey | Grey Wire Seal for 14-16 ga Wire. | — | — |
| SC792-Seal-14-16-Yellow | Yellow Wire Seal for 12 ga Wire. | — | — |
| SC792-Plug | Grey Plug for Use In 1 Form A Open Circuit Applications. | — | — |

DIMENSIONS (inches / mm)

TERMINAL COMPATIBILITY

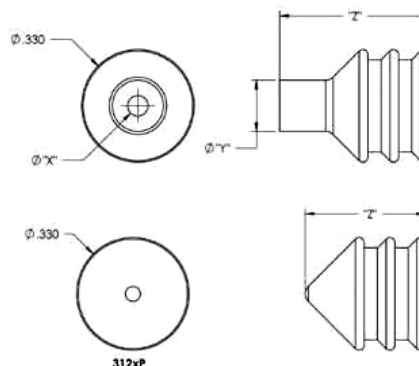
| Order From | Part Number | AWG | Blade |
|-----------------|-------------|-------|-------|
| TE Connectivity | 42100 | 14-18 | 1/4" |
| TE Connectivity | 42281 | 14-18 | 1/4" |
| TE Connectivity | 42904 | 12-16 | 1/4" |
| TE Connectivity | 60249 | 12-16 | 1/4" |
| TE Connectivity | 60253 | 12-14 | 1/4" |

Picker Components references these terminals to be used with our *Automotive Series Connectors. Current capability of the terminals depends on the gauge of wire used, the quality of the crimp, the addition of solder or a weld, operating conditions, temperature cycling, etc. Terminals to be purchased separately.



-C3 Socket

| Part Number | "X" | "Y" | "Z" | Color |
|-------------------------|-------|-------|-------|--------|
| SC792-Seal-18-Orange | 0.060 | 0.150 | 0.429 | Orange |
| SC792-Seal-14-16-Grey | 0.090 | 0.190 | 0.396 | Grey |
| SC792-Seal-14-16-Yellow | 0.130 | 0.230 | 0.376 | Yellow |
| SC792-Plug | N/A | N/A | 0.353 | Grey |



Seals and Plug



3220 Commander Drive, Suite 102 Carrollton, TX 75006
 Sales: (972) 713-6272 (888) 997-3933

Fax: (972) 735-0964

www.PickerComponents.com
 e-mail: sales@pickercomponents.com

Dimensions are listed for reference purposes only.

Specifications and Availability subject to change without notice.