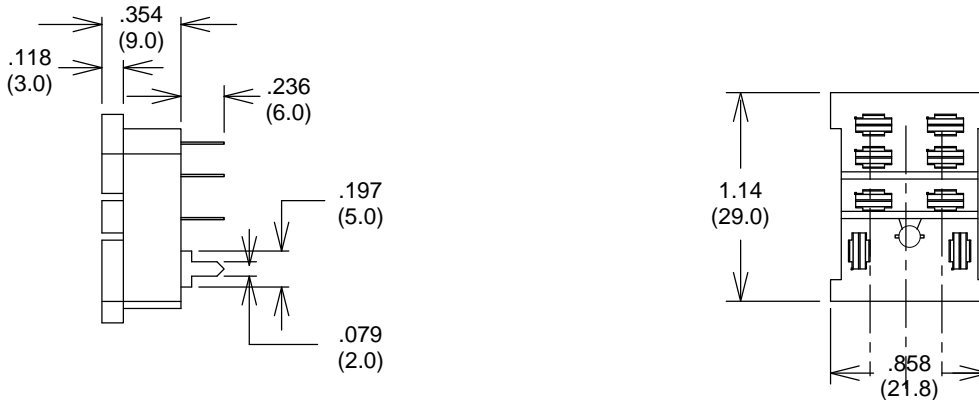


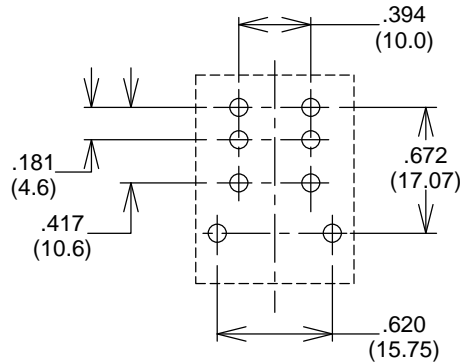
8 Pin Midget Socket for PCB Mounting

SC113-2C-PCB

For Use With The PC113 Relay
Dimensions in inches (MM)

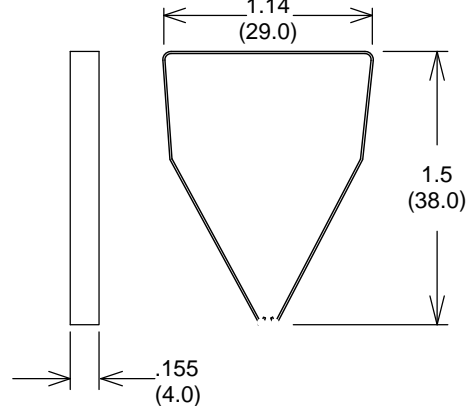


PC Board Layout



Recommended PC board hole Dia .100 in (2.5mm)

Hold Down Clip



Notes

- Hold down clip included with each socket
- Recommended PC board hole Dia .100 in (2.5mm)
- Tolerances $\pm .010$ unless otherwise noted