

45 Amp Miniature Automotive PCB Power Relay

PC822



FEATURES

- Miniature design
- 1A, 1B and 1C contact forms available
- Contact switching capacity up to 100 Amps
- 45 Amps continuous carrying capacity
- Up to 125 °C operating temperature
- Both US and European footprints available
- Open frame, Sealed or Dust cover available
- Lead Free & RoHS Compliant
- Fully Automated Assembly

CONTACT RATINGS

Contact Form	1 Form A or 1 Form C	
	Normally Open	Normally Closed
Max Switching Current	Make 100 Amps	Make 30 Amps
	Break 60 Amps	Break 30 Amps
Max. Switching Voltage	16 VDC	16 VDC
Max. Continuous Current	45 Amps	30 Amps
Minimum Load	0.5 A @ 12 VDC	

CONTACT DATA

Material	AgSnOInO (Silver Tin Oxide Indium Oxide) AgCdO (Silver Cadmium Oxide)	
Initial Contact Resistance	100 milliohms max @ 0.1A, 6VDC	
Service Life	Mechanical	1 X 10 ⁷ Operations
	Electrical	2 X 10 ⁵ Operations

CHARACTERISTICS

Operate Time	5 ms. typical
Release Time	3 ms. typical
Insulation Resistance	100 megohms min, at 500VDC, 50%RH
Dielectric Strength	750 Vrms, 1 min. between coil and contacts
Shock Resistance	20 g, 11ms, functional; 200 g, destructive
Vibration Resistance	DA 1.27 mm, 10 - 40 Hz functional
Drop Resistance	1 Meter height drop on concrete in final enclosure
Power Consumption	1.6 W approx.
Ambient Temperature Range	-40 to 125 degrees C operating, -40 to 155 storage
Weight	Open: 19 grams; Enclosed: 21 grams approx.

ORDERING INFORMATION

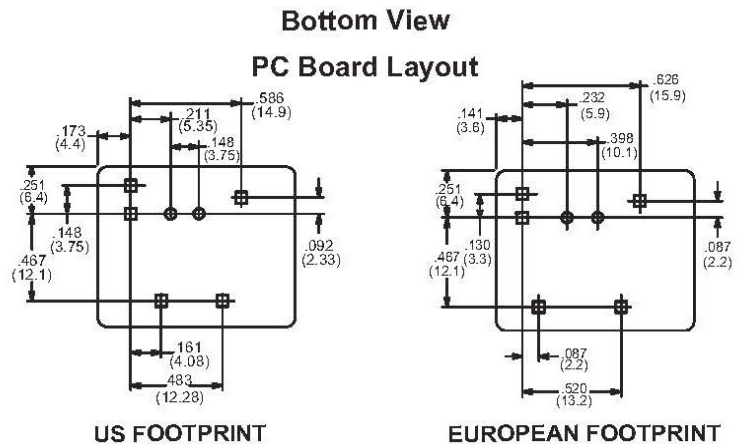
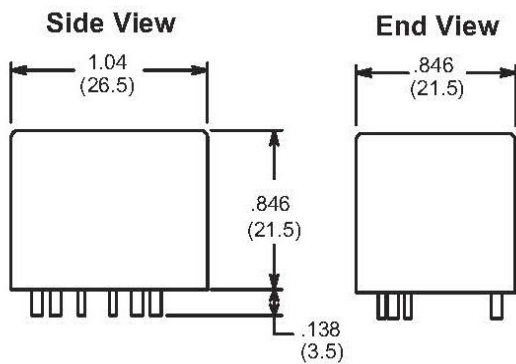
Example:	PC822	-1C	-12	S	-A	L	C	-X
Model:	PC822							
Contact Form:	1A (SPST-NO), 1B (SPST-NC), or 1C (SPDT)							
Coil Voltage:	6, 9, 12, 18, 24							
Enclosure:	Nil: Open Frame; S: Sealed; C: Dust Cover							
Footprint:	A: US (Narrow); A1: US with pin 4 removed; E: European (Wide)							
Coil Sensitivity:	Nil: Standard Pull In; L: Low Pull In							
Contact Material:	Nil: AgSnO ₂ ; C: AgCdO							
RoHS Compliant:	-X							

Box Quantity: 800; Inner Box: 200

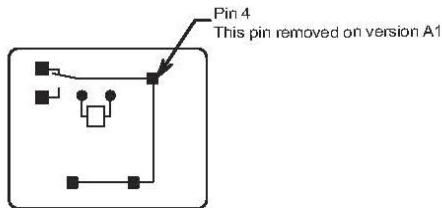
COIL DATA

Coil Voltage	Resistance ohms \pm 10%	Standard Must Operate Voltage Max. (VDC)	Special Low Pull In Voltage Max. (VDC)	Must Release Voltage Min. (VDC)	Continuous Voltage Max. (VDC)
6	19	4.2	3.3	0.6	7.8
9	42.6	6.3	5.1	0.9	11.7
12	90	8.4	6.8	1.2	15.6
18	202.5	12.6	10.2	1.8	23.4
24	360	16.8	13.9	2.4	31.2

Dimensions in Inches (millimeters)



Bottom View Wiring Diagram



Bottom View PC Hole Sizes

