

# 30 Amp Power Relay

PC730



## FEATURES

- 1/4 Inch Male Quick Connect Terminals
- Up To 30 Amp Switching Capacity
- Up to 1 1/2 Horsepower Rating
- Smallest 30 Amp 2 Pole Relay
- Top or Side Flanged Case or PC Mounting
- 2A or 2C Contact Configuration
- RoHS Compliant



Load Type	Voltage	All Contacts
General Purpose	250 VAC	30 A
	277 VAC	20 A
	28 VDC	20 A
Resistive	250 VAC	30 A
	277VAC	20 A
	120 VAC	30 A
Motor	240 VAC	1 1/2 HP
	120 VAC	1 HP

## CONTACT DATA

Material	AgCdO (Silver Cadmium Oxide)	
Initial Contact Resistance	100 mΩ max. @ 6 V, 1A	
Max. Switching Voltage	36 VDC, 330 VAC	
Max. Switching Power	7,500 VA	
Service Life	Mechanical	1 X 10 <sup>7</sup> Operations
	Electrical	1 X 10 <sup>5</sup> Operations

## CHARACTERISTICS

Operate Time	25 ms Max
Release Time	15 ms Max
Insulation Resistance	500 MΩ min. at 500 VDC, 50% RH
Dielectric Strength	2,500 VAC 1 min. Between Coil and Contacts
	1,500 VAC, 1 min. Between Open Contacts
Shock Resistance	10 g, Functional
	100 g, Destructive
Power Consumption	DC Coil 2.0 W, AC Coil 4.0 VA

Vibration Resistance	10 Hz - 55 Hz 1.0 mm DA, Functional
	10 Hz - 55 Hz 1.0 mm DA, Destructive
Solderability	235°C ± 2°C 3 s ± 0.5 s
Operating Temperature	-25 to 55 °C
Relative Humidity	75% (at 30°C)
Weight	70 grams

## ORDERING INFORMATION

Example:	PC730	-2C	- C	- 120A
Model:	PC730			
Contact Form:	2A, 2C			
Case Type:	C1: Side Flange; C3: Top Flange; P: PC Terminals			
Coil Voltage:	XXXA: AC Coil 12, 24, 48, 220 XXXD: DC Coil 12, 24, 48, 110			
Nil:	Rohs Compliant			

Box Quantity: 100; Inner Box: 10

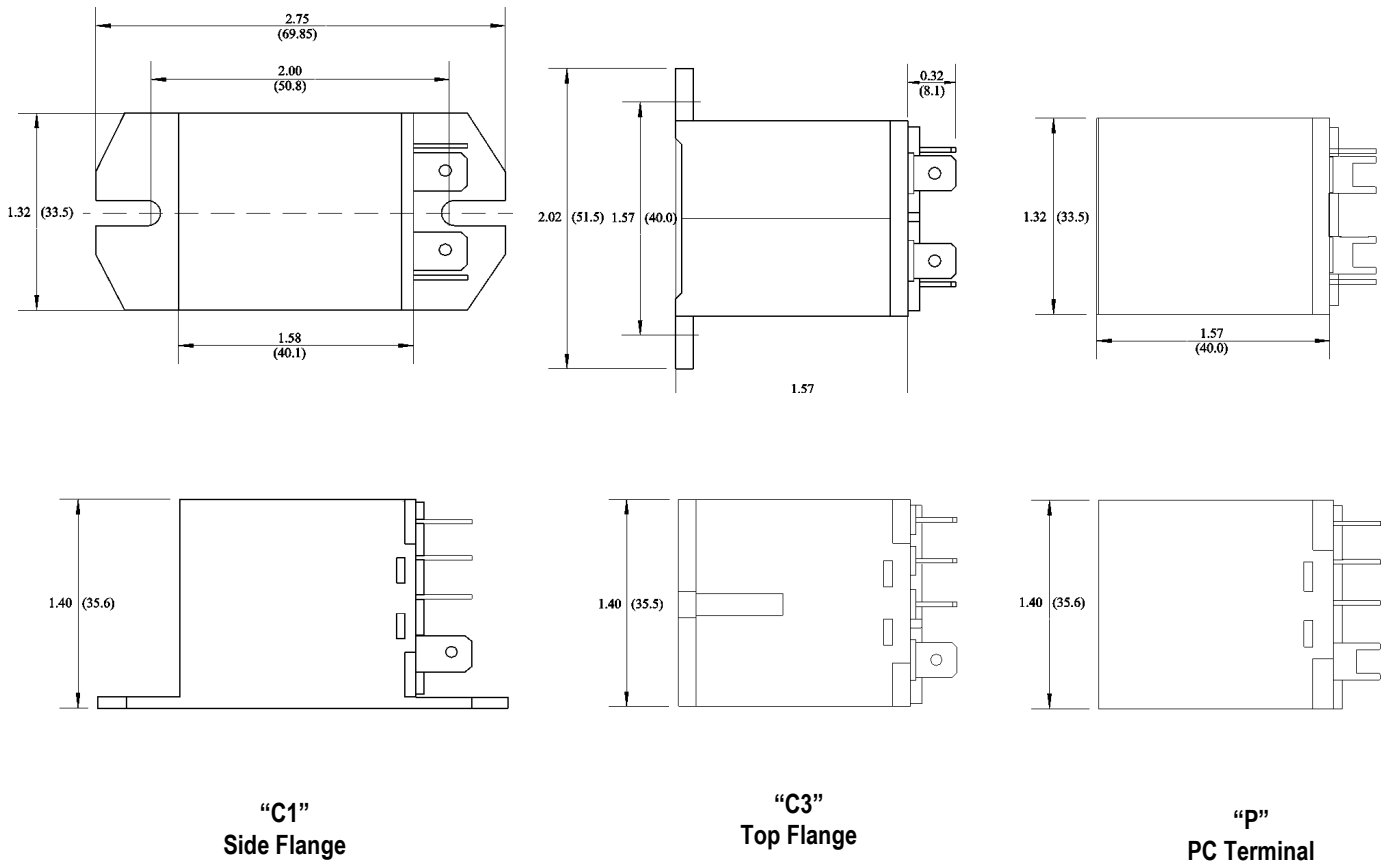
**COIL DATA**

Voltage Type	Coil Voltage		Resistance Ohms ± 10%	Must Operate Volt- age Max. (VDC)	Must Release Voltage Min. (VDC)
	Rated	Max			
DC 2.0 W	12	13.2	72.0	9.0	1.2
	24	26.4	288.0	18.0	2.4
	48	52.8	1152.0	36.0	4.8
	110	242	6050.0	82.5	11.0
AC 4.0 VA	12	26.4	12.6	9.6	3.6
	24	52.8	50.4	19.2	7.2
	48	121	201.6	38.4	14.4
	220	312	4235.0	176.0	66.0

**NOTES:**

The use of any coil voltage less than the rated voltage will compromise the operation of the relays. Must Operate Voltage is listed for test purposes only and is not to be used as design criteria. Pickup and release voltages are for test purposes only and are not to be used as design criteria. Dimensions are in mm, Inches are listed for reference only.

**CASE TYPE Inches (mm)**

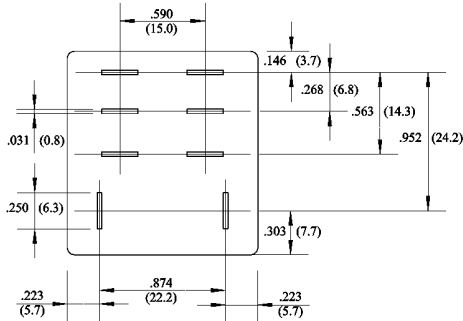


3220 Commander Drive, Suite 102 Carrollton, TX 75006  
 Sales: (972) 713-6272 (888) 997-3933 Fax: (972) 735-0964

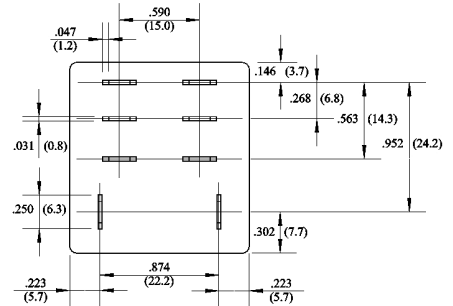
www.PickerComponents.com  
 e-mail: sales@pickercomponents.com

**MOUNTING TYPES (inches/mm)**

**TERMINAL LAYOUTS Inches (mm)**

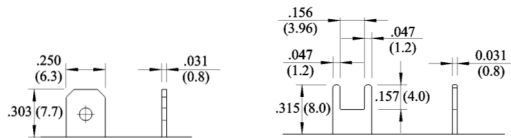


**Quick Connect**



**“P”  
PC Terminal**

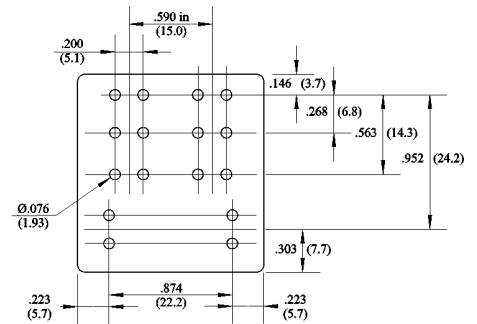
**TERMINAL QC & PINS Inches (mm)**



**Quick Connect**

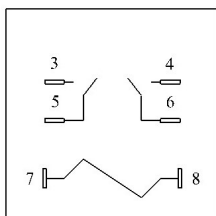
**Double Pins**

**PC BOARD LAYOUT Inches (mm)**

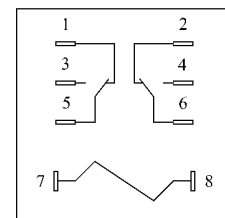


**“P”  
PC Terminal  
Top View**

**WIRE DIAGRAMS**



**2A**



**2C**



3220 Commander Drive, Suite 102 Carrollton, TX 75006  
 Sales: (972) 713-6272 (888) 997-3933 Fax: (972)735-0964

www.PickerComponents.com  
 e-mail: sales@pickercomponents.com