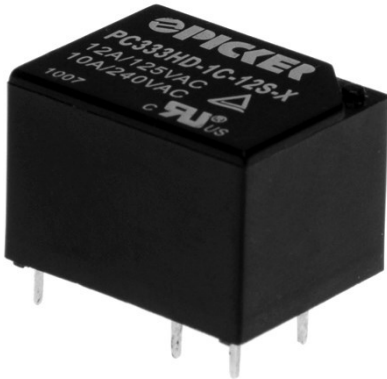


# 12 Amp Subminiature PCB Power Relay

**PC333**



## FEATURES

- 12 Amp Continuous Contact Capacity
- 1 Form A and 1 Form C Contact Forms
- 2.5 KV Dielectric Standard
- 4.0 KV Dielectric HD Version
- Sensitive Coil Available
- Meets UL 873 Spacing
- Sealed, Immersion Cleanable
- RoHS Compliant:



Load Type	Voltage	All Forms, All Contacts
General Purpose	28 VDC	12 A
	125 VAC	12 A
	240 VAC	10 A
	300 VDC	6 A
Inductive120	120VAC	1/3 HP
	240 VAC	1/3 HP

## CONTACT DATA

Max. Switching Power	336 W 2,500 VA	
Max. Switching Voltage	110 VDC, 380 VAC	
Max. Switching Current	15 A	
Material	AgCdO, AgSnO <sub>2</sub> *(Optional)	
Initial Contact Resistance	50 mΩ max 0.1 A, 6 VDC	
Service Life	Mechanical	1 X 10 <sup>7</sup> Operations
	Electrical	1 X 10 <sup>5</sup> Operations

## CHARACTERISTIC

Operate Time	7 ms. Max.
Release Time	4 ms. Max.
Insulation Resistance	500 MΩ min, at 500 VDC
Dielectric Strength PC333	1,000 V 50 Hz, Between Contacts
	2,500 V, 50 Hz, Between Coil and Contacts
Dielectric Strength PC333HD	1,000 V 50 Hz, Between Contacts
	2,500 V, 50 Hz, Between Coil and Contacts
Power Consumption	46 mW Standard, 36 mW Sensitive Optional

## CHARACTERISTIC Continued

Shock Resistance	100 m/s <sup>2</sup> 11 ms
Vibration Resistance	10 Hz - 55 Hz Double Amplitude 1.5 mm
Terminal Strength	10N
Solderability	235 °C ± 2°C 3 s ± 0.5 s
Operating Temperature	- 40°C to 85°C
Temperature Range	- 40°C to 130 °C
Weight	11 gr

## ORDERING INFORMATION

Example:	PC333	-1C	-12	S	F	-H	-X
Model*:	PC333, PC333HD (High Dielectric)						
Contact Form:	1A, 1C						
Coil Voltage:	3, 5, 6, 9, 12, 18, 24, 48						
Enclosure:	S: Sealed; C: Flux Free						
Insulation System:	Nil: Class B (125° C), F: Class F (155° C)						
Coil Sensitivity:	Nil: Standard .45 W, H: Sensitive .36 W, 61: 61 W @ 48 V Only						
Contact Material:	Nil: AgCdO (Standard); T: AgSnO <sub>2</sub> (Optional)						
RoHS Compliant:	-X						

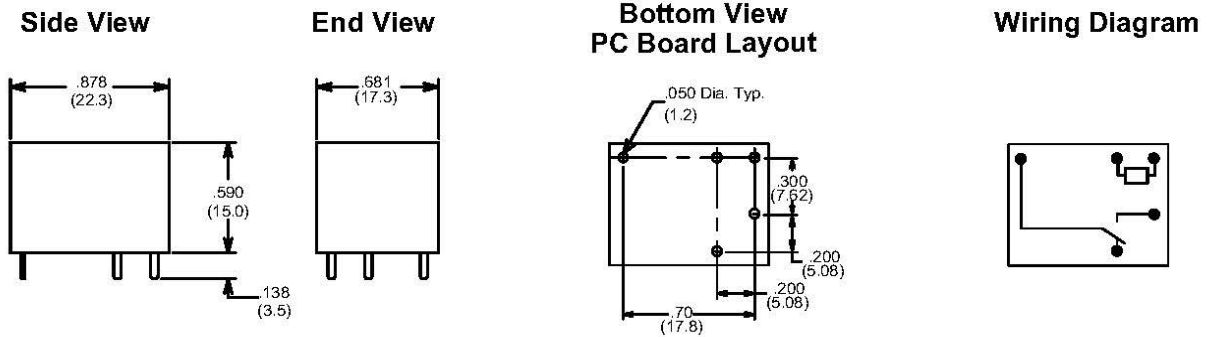
\* Special contact material available

**COIL DATA**

Coil Voltage	Resistance ohms $\pm$ 10%		Must Operate Voltage Max. (VDC)	Must Release Voltage Min. (VDC)		
	Standard Coil	Sensitive Coil				
3	20	0.45 W	25	0.33 W	2.25	0.3
5	56		69		3.75	0.5
6	80		100		4.50	0.6
9	180		225		6.75	0.9
12	320		400		9.00	1.2
18	720		900		13.50	1.8
24	1280		1600		18.00	2.4
48	3800		—		36.00	4.8

**Dimensions in Inches (millimeters)**

**PC333**



**PC333HD**

