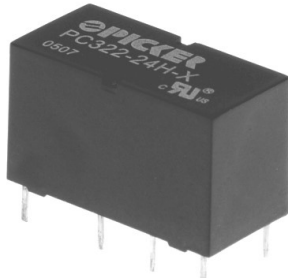


<b>Subminiature PCB Signal Relay</b>	<b>PC312</b>
--------------------------------------	--------------



**FEATURES**

- Subminiature Design
- PC Terminals on .1" Grid Pattern
- Contact Capacity from 1 mA to 5 A
- Meets FCC part 68 Voltage Surge
- Class "B" Insulation Standard
- Three Coil Sensitivities Available
- Sealed, Immersion Cleanable
- RoHS Compliant:



Contact Form	1 Form C SPDT	
Rated Load	Voltage	Amps
Resistive	14 VDC	5 A
Resistive	125 VAC	5 A
Resistive	30 VDC	5 A

**CONTACT DATA**

Max. Switching Power	150 W 625 VA	
Max. Switching Voltage	60 VDC 220 VAC	
Max. Switching Current	5 A	
Material	AgNi+Au (Clad)	
Initial Contact Resistance	50 mΩ max	
Service Life	Mechanical	1 X 10 <sup>7</sup> Operations
	Electrical	1 X 10 <sup>5</sup> Operations

**CHARACTERISTIC**

Operate Time	5.0 ms. Max.
Release Time	5.0 ms. Max.
Insulation Resistance	100 MΩ min, at 500 VDC
Dielectric Strength	500 V 50 Hz, Between Contacts
	1,000 V, 50 Hz, Between Coil and Contacts
Power Consumption	200 mW, 360 mW, 450 mW

**CHARACTERISTIC Continued**

Shock Resistance	100 m/s <sup>2</sup> 11 ms
Vibration Resistance	10 Hz - 70 Hz Double Amplitude 1.5 mm
Terminal Strength	5N
Solderability	235 °C ± 2°C 3 s ± 0.5 s
Temperature Range	- 25°C ~ 70°C
Weight	3.5 gr

**ORDERING INFORMATION**

Example:	PC312	-12	H	-X
Model:	<b>PC312</b>			
Contact Form:	<b>Nil</b> : 1C			
Coil Voltage:	<b>3, 5, 6, 9, 12, 18, 24</b>			
Contact Material:	<b>Nil</b> : AgNi + Au			
Sensitivity:	<b>Nil</b> : Standard 360 mW; <b>B</b> : 450 mW; <b>H</b> : 200 mW			
Current Rating:	<b>Nil</b> : Standard, 3 A; <b>S</b> : 5 A			
RoHS Compliant:	<b>-X</b>			

Box Quantity: 2,000 ; Inner Box 1,000

**COIL DATA**

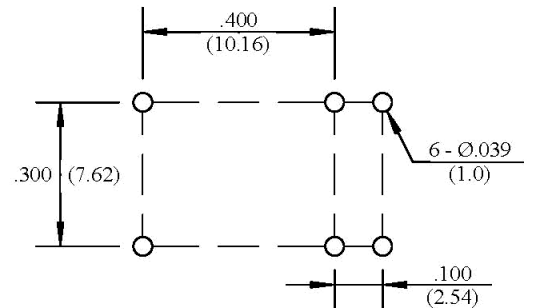
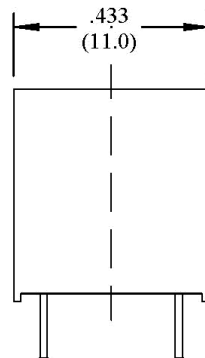
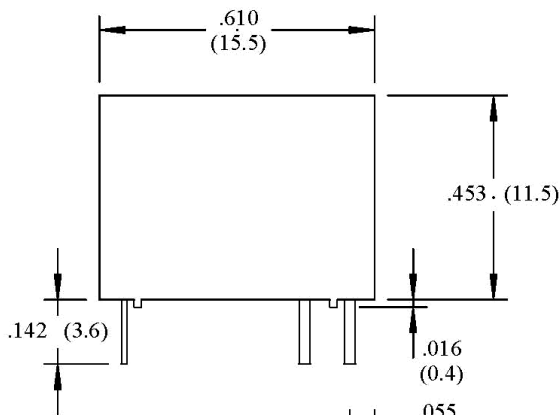
Coil Voltage (VDC)		Coil Power			Must Operate Voltage Max. (VDC)	Must Release Voltage Min. (VDC)
Rated	Max	Resistance ohms ± 10%				
		200 mW	360 mW	450 mW		
3	3.3	45	25	20	2.25	0.3
5	5.5	125	75	56	3.75	0.5
6	6.6	180	100	80	4.50	0.6
9	9.9	405	225	180	6.75	0.9
12	13.2	720	400	320	9.00	1.2
18	19.8	1620	900	720	13.5	1.8
24	26.5	2880	1600	1280	18.0	2.4

**DIMENSIONS Inches/mm**

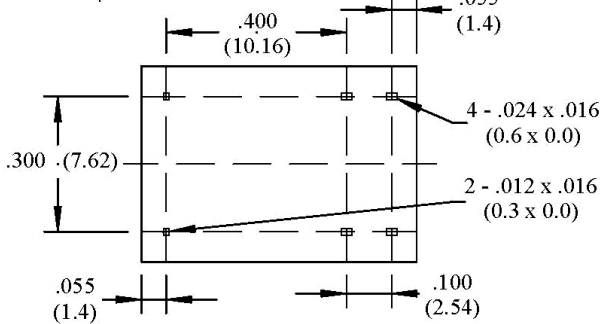
**Relay**

**Front View**

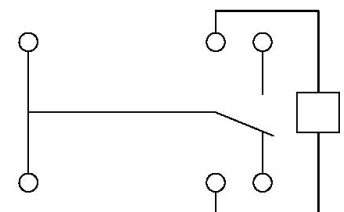
**Side View**



**PCB Mounting (Top View)**



**Terminal Layout (Bottom View)**



**Wiring Diagrams (Bottom View)**