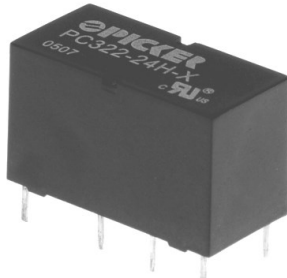


Subminiature PCB Telecom Relay

PC312



FEATURES

- Subminiature Design
- PC Terminals on .1" Grid Pattern
- Contact Capacity from 1 mA to 5 A
- Meets FCC part 68 Voltage Surge
- Class "B" Insulation Standard
- Three Coil Sensitivities Available
- Sealed, Immersion Cleanable
- RoHS Compliant:



| | | |
|--------------|------------------|------|
| Contact Form | 1 Form C SPDT | |
| Rated Load | Voltage | Amps |
| Resistive | 14 VDC | 5 A |
| Resistive | 125 VAC | 5 A |
| Resistive | 30 VDC | 5 A |

CONTACT DATA

| | | |
|----------------------------|----------------|--------------------------------|
| Max. Switching Power | 150 W 625 VA | |
| Max. Switching Voltage | 60 VDC 220 VAC | |
| Max. Switching Current | 5 A | |
| Material | AgNi+Au (Clad) | |
| Initial Contact Resistance | 50 mΩ max | |
| Service Life | Mechanical | 1 X 10 ⁷ Operations |
| | Electrical | 1 X 10 ⁵ Operations |

CHARACTERISTIC

| | |
|-----------------------|-------------------------------------------|
| Operate Time | 5.0 ms. Max. |
| Release Time | 5.0 ms. Max. |
| Insulation Resistance | 100 MΩ min, at 500 VDC |
| Dielectric Strength | 500 V 50 Hz, Between Contacts |
| | 1,000 V, 50 Hz, Between Coil and Contacts |
| Power Consumption | 200 mW, 360 mW, 450 mW |

CHARACTERISTIC Continued

| | |
|----------------------|---------------------------------------|
| Shock Resistance | 100 m/s ² 11 ms |
| Vibration Resistance | 10 Hz - 70 Hz Double Amplitude 1.5 mm |
| Terminal Strength | 5N |
| Solderability | 235 °C ± 2°C 3 s ± 0.5 s |
| Temperature Range | -25°C ~ 70°C |
| Weight | 3.5 gr |

ORDERING INFORMATION

| | | | | |
|-------------------|--------------------------------------------------------------------|-----|---|----|
| Example: | PC312 | -12 | H | -X |
| Model: | PC312 | | | |
| Contact Form: | Nil : 1C | | | |
| Coil Voltage: | 3, 5, 6, 9, 12, 18, 24 | | | |
| Contact Material: | Nil : AgNi + Au | | | |
| Sensitivity: | Nil : Standard 360 mW; B : 450 mW; H : 200 mW | | | |
| Current Rating: | Nil : Standard, 3 A; S : 5 A | | | |
| RoHS Compliant: | -X | | | |

Box Quantity: 2,000 ; Inner Box 1,000

COIL DATA

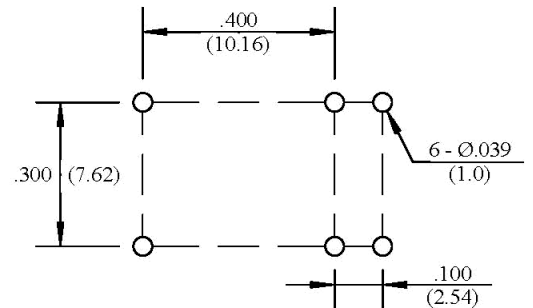
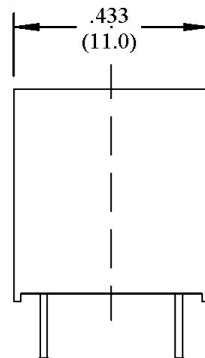
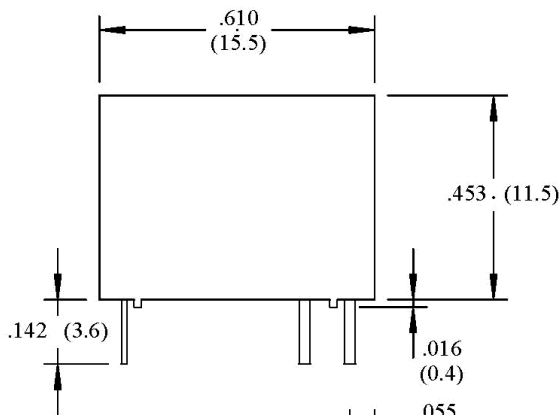
| Coil Voltage (VDC) | | Coil Power | | | Must Operate Voltage Max. (VDC) | Must Release Voltage Min. (VDC) |
|--------------------|------|-----------------------|--------|--------|---------------------------------|---------------------------------|
| Rated | Max | Resistance ohms ± 10% | | | | |
| | | 200 mW | 360 mW | 450 mW | | |
| 3 | 3.3 | 45 | 25 | 20 | 2.25 | 0.3 |
| 5 | 5.5 | 125 | 75 | 56 | 3.75 | 0.5 |
| 6 | 6.6 | 180 | 100 | 80 | 4.50 | 0.6 |
| 9 | 9.9 | 405 | 225 | 180 | 6.75 | 0.9 |
| 12 | 13.2 | 720 | 400 | 320 | 9.00 | 1.2 |
| 18 | 19.8 | 1620 | 900 | 720 | 13.5 | 1.8 |
| 24 | 26.5 | 2880 | 1600 | 1280 | 18.0 | 2.4 |

DIMENSIONS Inches/mm

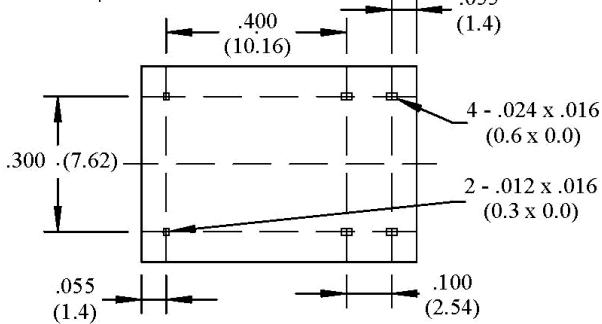
Relay

Front View

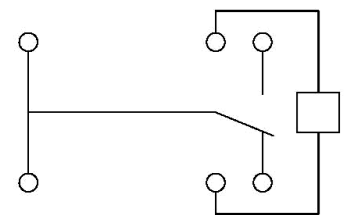
Side View



PCB Mounting (Top View)



Terminal Layout (Bottom View)



Wiring Diagrams (Bottom View)